



US00D469365S

(12) **United States Design Patent**  
**Gardiner et al.**

(10) **Patent NO.:** **US D469,365 S**  
(45) **Date of Patent:** **\*\* Jan. 28, 2003**

- (54) **MODULE FOR MULTI-FUNCTION EQUIPMENT**
- (75) Inventors: **Walter A. Gardiner**, Waccabuc, NY (US); **Joseph A. Hufnagel**, Bethel, CT (US); **James J. Economos**, Kingston, NY (US); **James O. Quinn**, Montgomery, NY (US); **Robert S. Englert**, Syracuse, NY (US); **Scott W. Osiecki**, Skaneateles, NY (US)

- 4,250,627 A 211981 Järvenpää et al.
- D283,682 S 511986 Raitmaa
- D287,942 S 111987 Tanaka
- D290,093 S 611987 Kramer et al.
- D308,488 S 611990 Iden
- D310,787 S 911990 Iden
- D310,970 S 1011990 Iden
- D333,626 S 311993 Chang
- D356,965 S 411995 Chang
- D375,693 S 1111996 Chang
- D386,699 S 1111997 Lindman

(73) Assignee: **Imperial Schrade Corp.**, Ellenville, NY (US)

(\*\*) Term: **14 Years**

(21) Appl. No.: **291148,633**

(22) Filed: **Sep. 24, 2001**

**Related U.S. Application Data**

(62) Division of application No. 291134,627, filed on Dec. 26, 2000, now Pat. No. Des. 448,685.

(51) **LOC (7) Cl.** ..... **10-04**

(52) **U.S. Cl.** ..... **D10/62; D10/68**

(58) **Field of Search** ..... D10/62, 68; 331273, 331355 R, 364; 2241152, 235, 240, 252, 269; 3681101, 276, 277, 278; 3741141, 142, 208; 446128

(56) **References Cited**

**U.S. PATENT DOCUMENTS**

- D53,889 S 1011919 Colvin
- D106,533 S 1011937 Frank

**OTHER PUBLICATIONS**

The Sharper Image Catalog, "Zytool", Aug. 2000, p. 3

Primary Examiner—Antoine Duval Davis

(74) Attorney, Agent, or Firm—Saidman DesignLaw Group

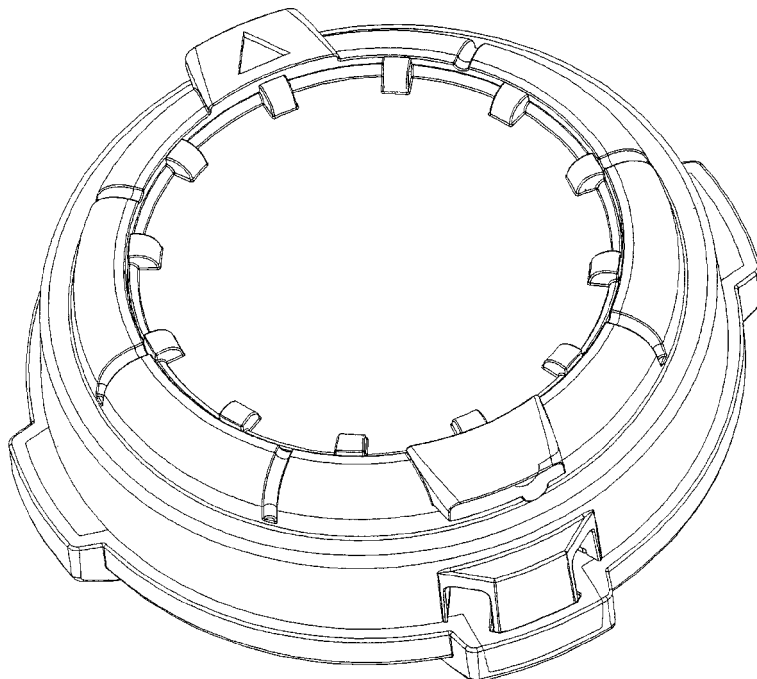
(57) **CLAIM**

The ornamental design for module for multi-function equipment, as shown and described.

**DESCRIPTION**

FIG. 1 is a top perspective view of a module for multi-function equipment showing our new design; FIG. 2 is a bottom perspective view thereof; FIG. 3 is a top view thereof; FIG. 4 is a bottom view thereof; FIG. 5 is a front view thereof; FIG. 6 is a rear view thereof; FIG. 7 is a left side view thereof; and, FIG. 8 is a right side view thereof. The broken lines in the drawings represent environmental subject matter and form no part of the claimed design.

**1 Claim, 6 Drawing Sheets**



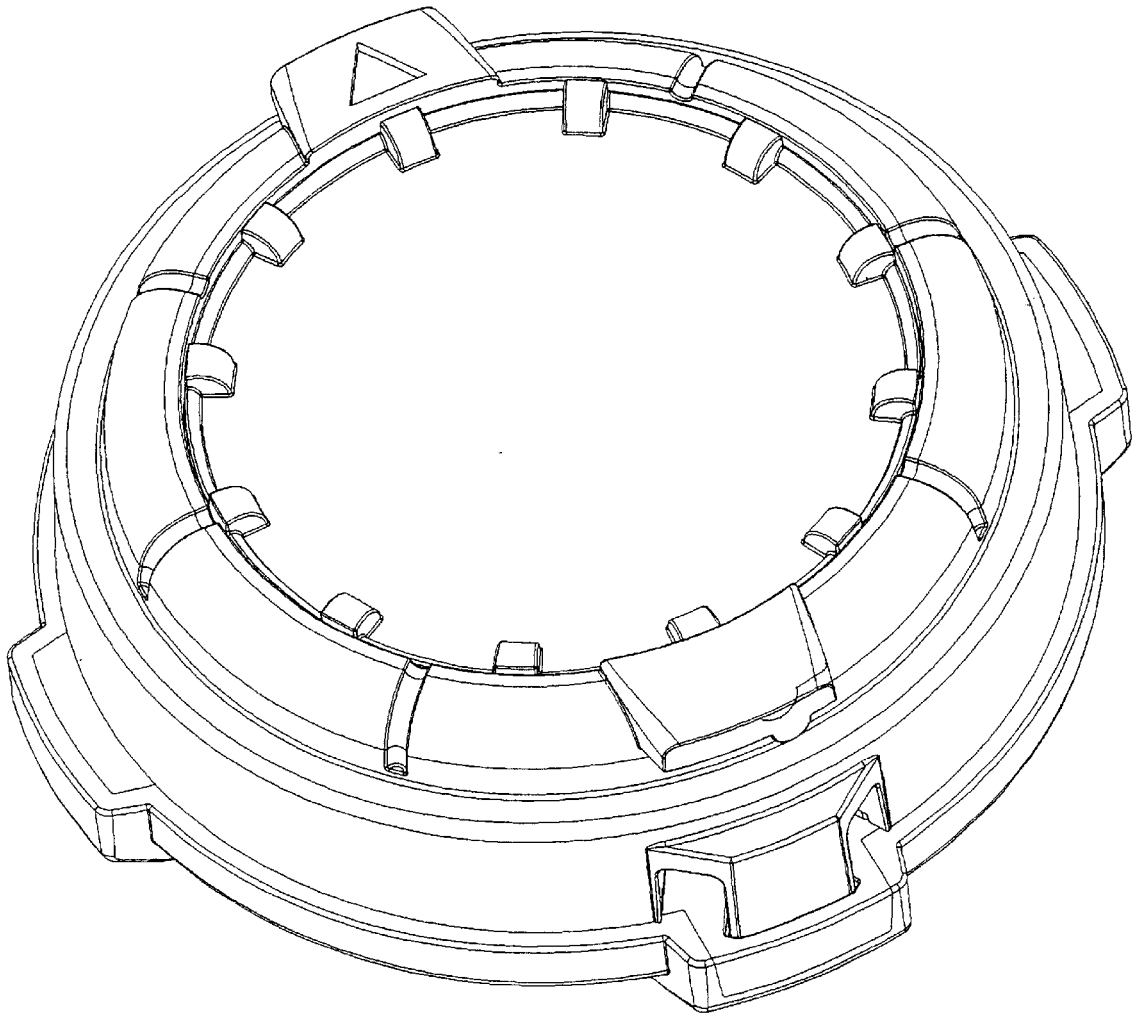


FIG. 1

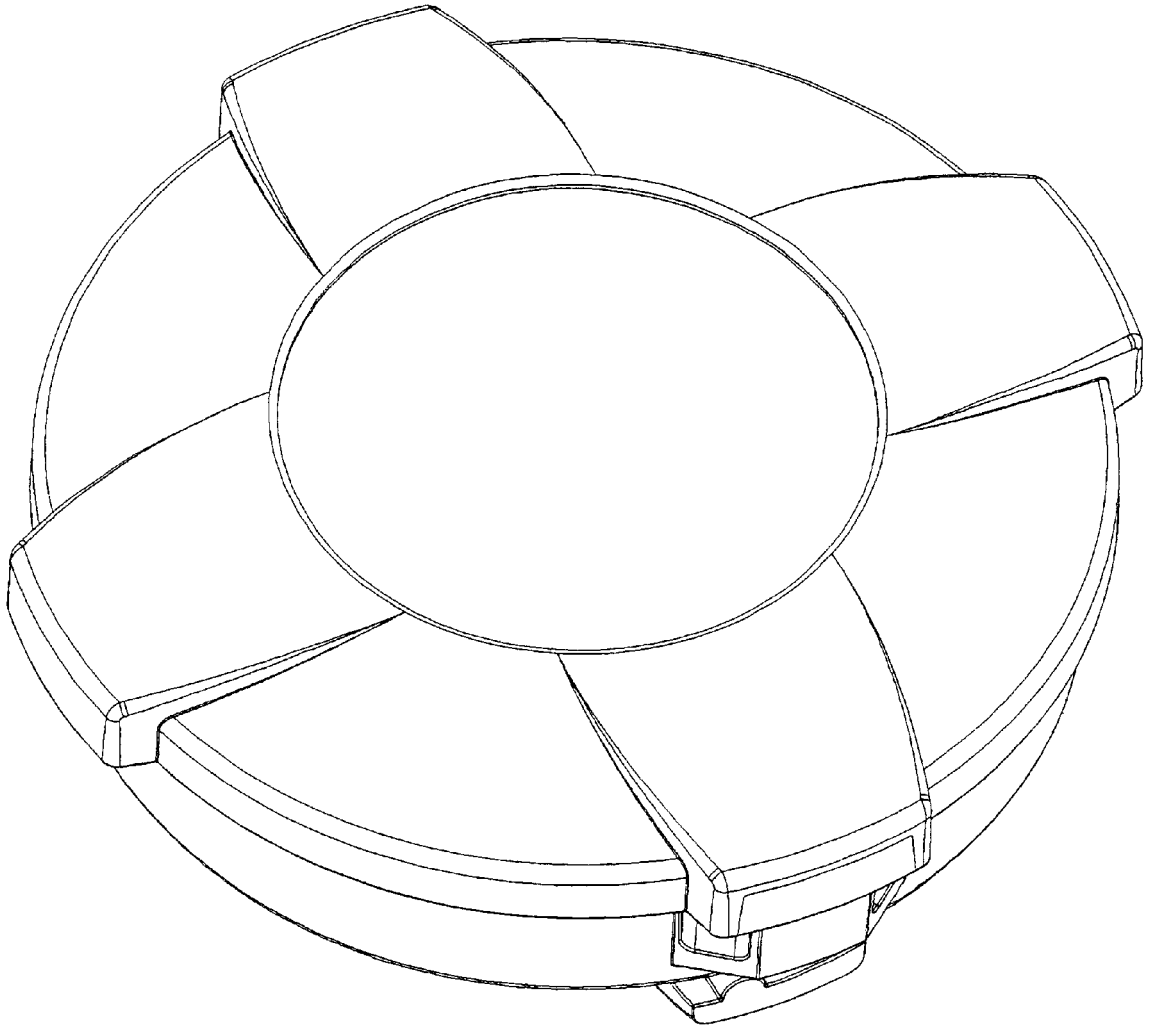


FIG. 2

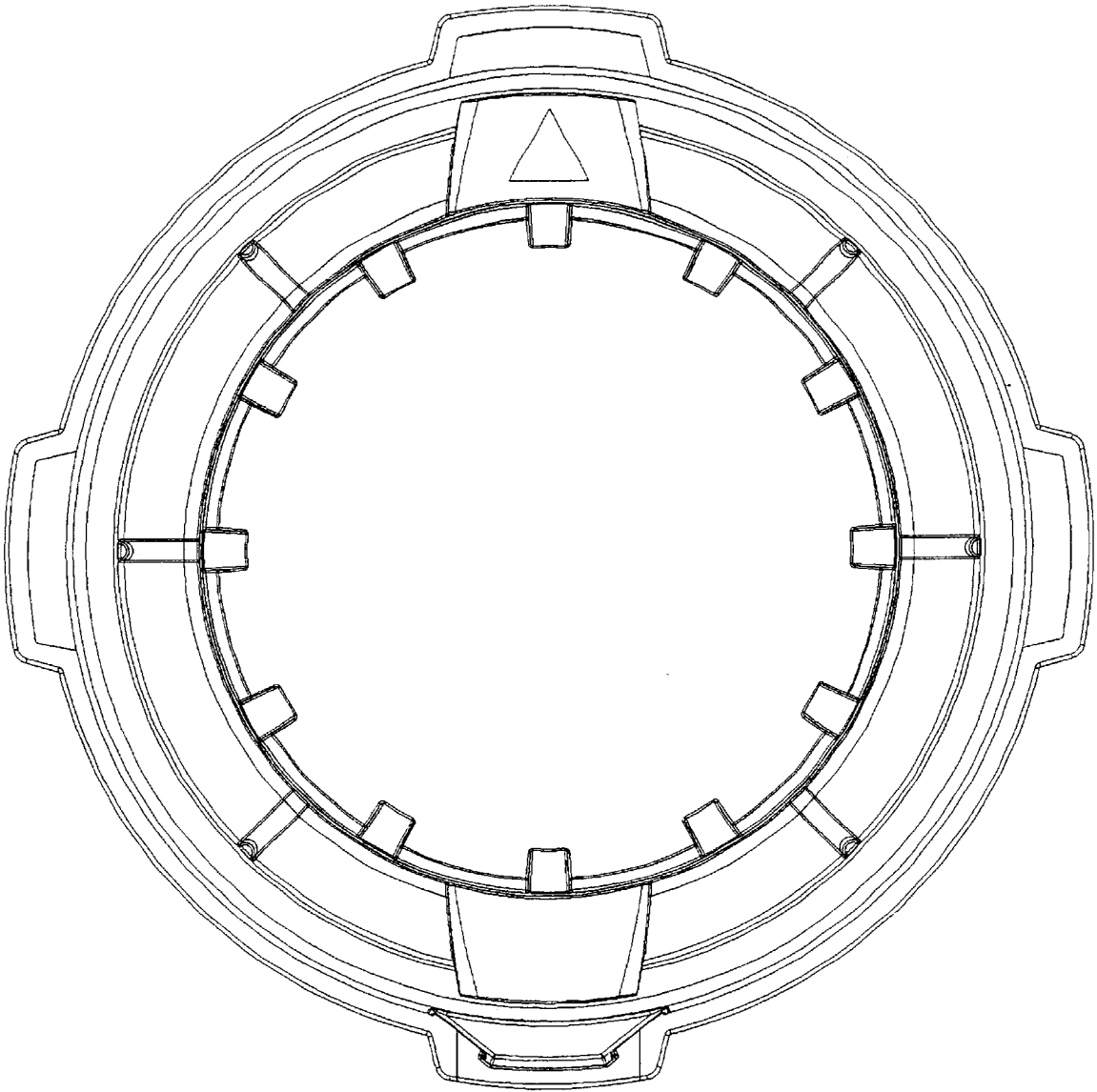


FIG. 3

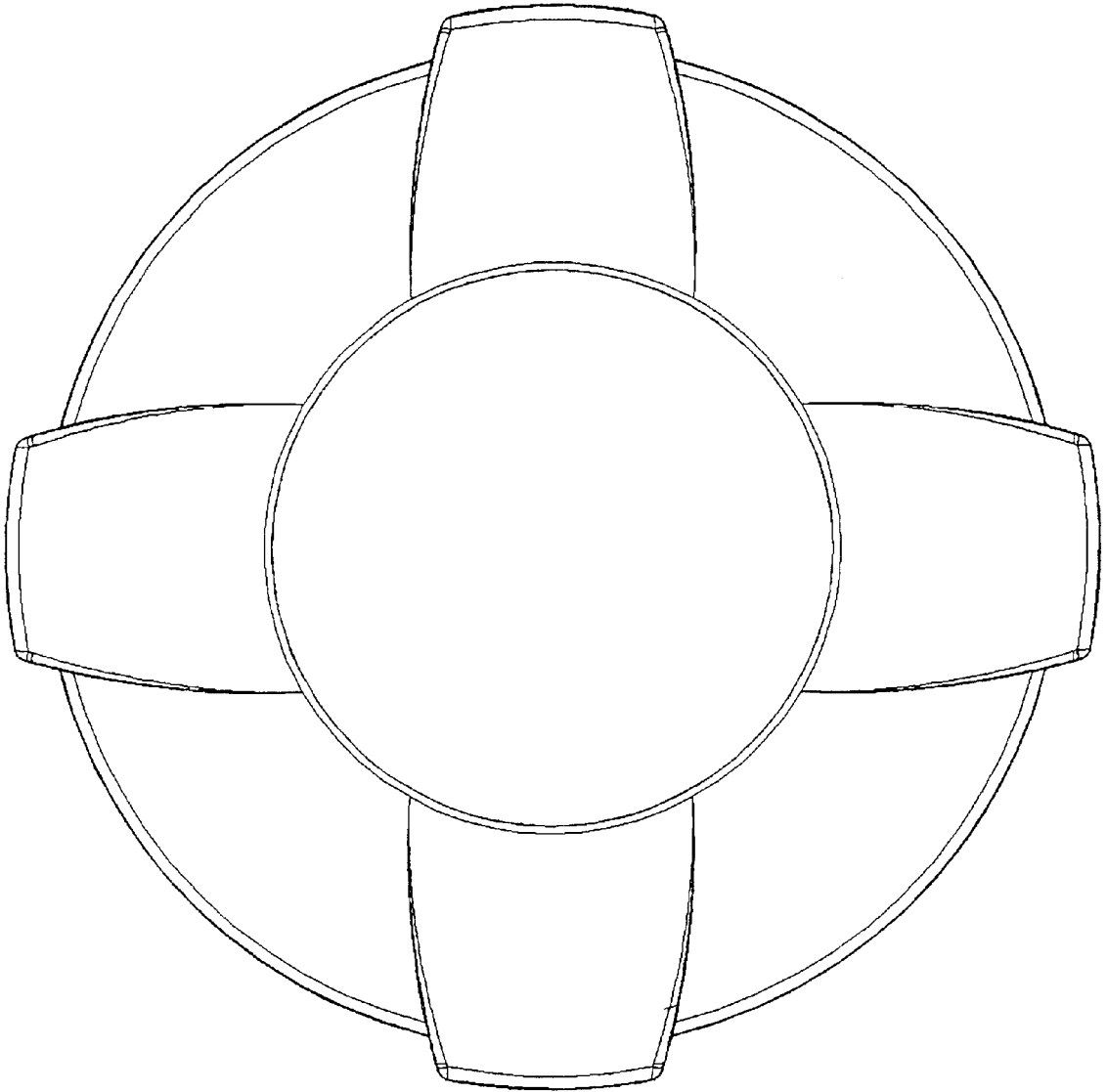


FIG. 4

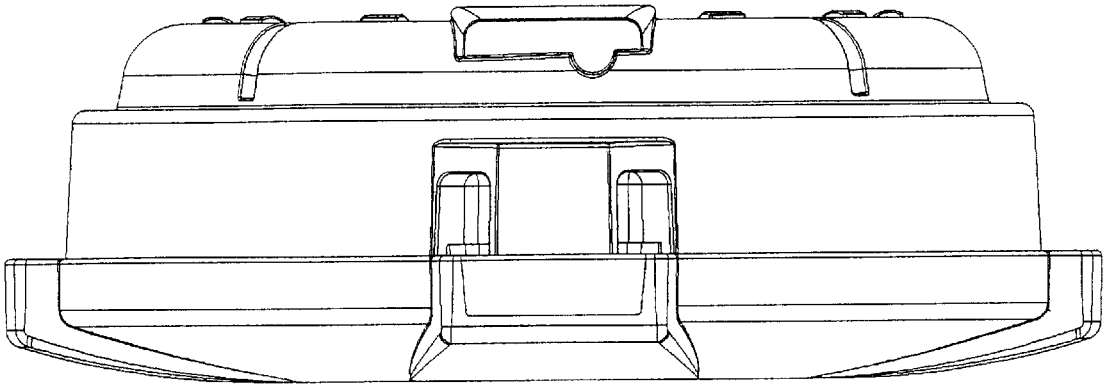


FIG. 5

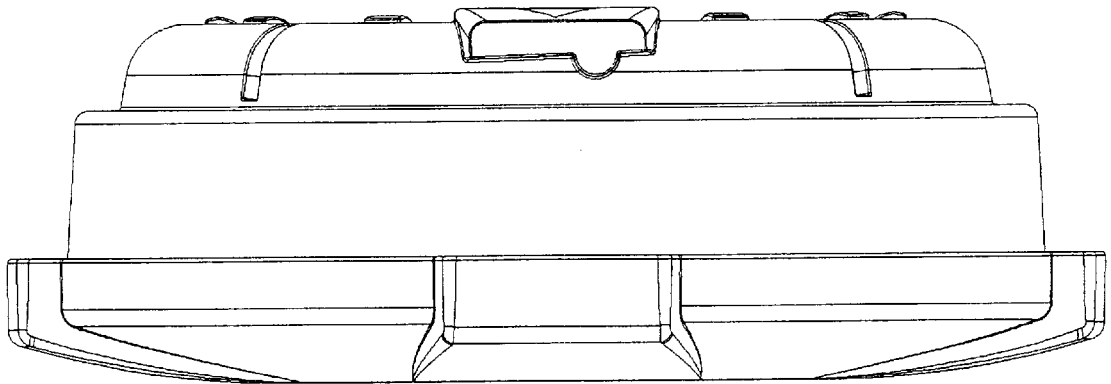


FIG. 6

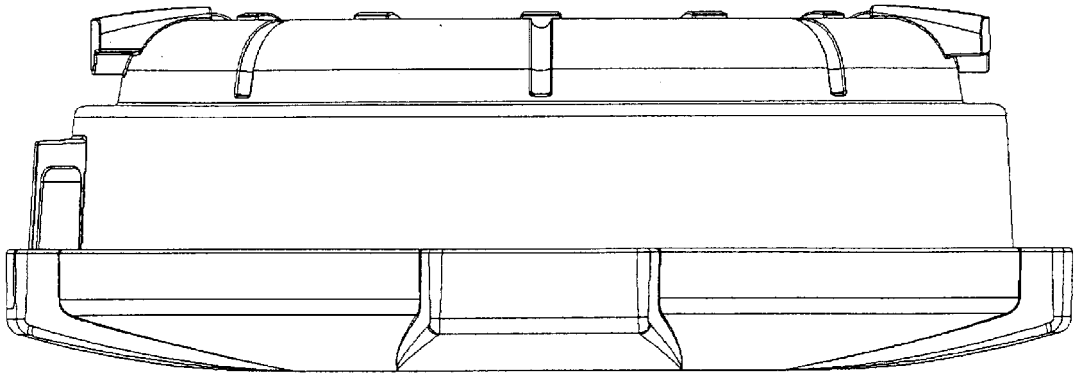


FIG. 7

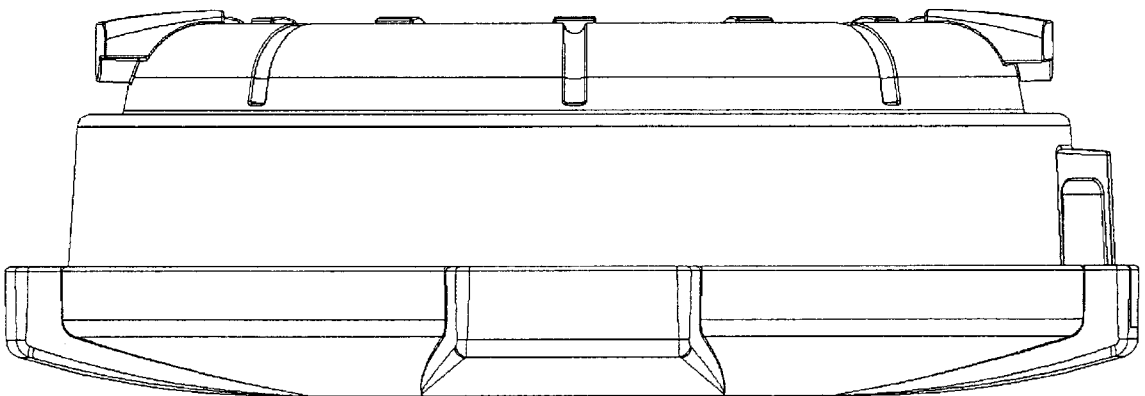


FIG. 8