



US00D469366S

(12) **United States Design Patent** (10) **Patent No.:** **US D469,366 S**
Quinn et al. (45) **Date of Patent:** **** Jan. 28,2003**

(54) **MODULE HOUSING PORTION FOR MULTI-FUNCTION EQUIPMENT**
(75) Inventors: **James O. Quinn**, Montgomery, NY (US); **Robert S. Englert**, Syracuse, NY (US); **Scott W. Osiecki**, Skaneateles, NY (US); **Walter A. Gardiner**, Waccabuc, NY (US); **Joseph A. Hufnagel**, Bethel, CT (US); **James J. Economos**, Kingston, NY (US)

D310,787 S 9/1990 Iden
D310,970 S 10/1990 Iden
D316,983 S 5/1991 Houlihan
D333,626 S 3/1993 Chang
D356,965 S 4/1995 Chang
D360,369 S 7/1995 Wong et al.
D375,693 S 11/1996 Chang
D386,699 S 11/1997 Lindman
D386,983 S 12/1997 Houlihan
D448,685 S 10/2001 Gardiner et al.
D449,009 S 10/2001 Gardiner et al.

(73) Assignee: **Imperial Schrade Corp.**, Ellenville, NY (US)

(**) Term: **14 Years**

(21) Appl. No.: **291153,463**

(22) Filed: **Jan. 8, 2002**

(51) **LOC (7) Cl.** **10-04**

(52) **U.S. Cl.** **D10/62; D10/68**

(58) **Field of Search** D10/62, 65, 68; 331273, 355 R, 364; 2241152, 235, 240, 252, 269; 3681101, 276-278; 3741141, 142, 208; 446128

(56) **References Cited**

U.S. PATENT DOCUMENTS

D53,889 S 1011919 Colvin
D106,533 S 1011937 Frank
4,250,627 A 211981 Jarvenpaa et al.
D283,682 S 511986 Raitmaa
D287,942 S 111987 Tanaka
D290,093 S 611987 Kramer
D308,488 S 611990 Iden

OTHER PUBLICATIONS

The Sharper Image Catalog, "Zytool", Aug. 2000, p. 3.

Primary *Examiner*—Antoine Duval Davis

(74) Attorney, Agent, or *Firm*—Saidman DesignLaw Group

(57) **CLAIM**

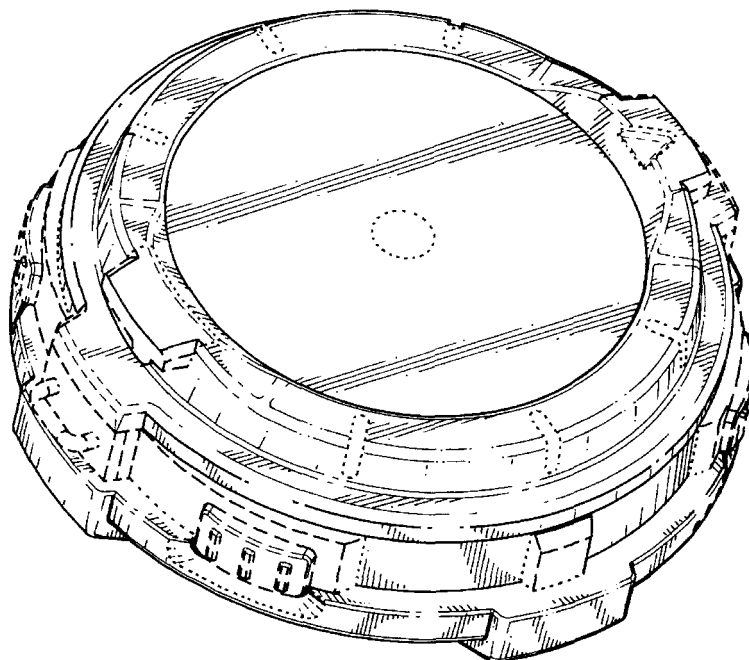
The ornamental design for a module housing portion for multi-function equipment, as shown and described.

DESCRIPTION

FIG. 1 is a top perspective view of a module housing portion for multi-function equipment showing our new design; FIG. 2 is a bottom perspective view thereof; FIG. 3 is a top view thereof; FIG. 4 is a bottom view thereof; FIG. 5 is a left side view thereof; FIG. 6 is a right side view thereof; and, FIG. 7 is a front view thereof, the rear view being a mirror image.

The broken lines in the drawings represent environmental subject matter and form no part of the claimed design.

1 Claim, 7 Drawing Sheets



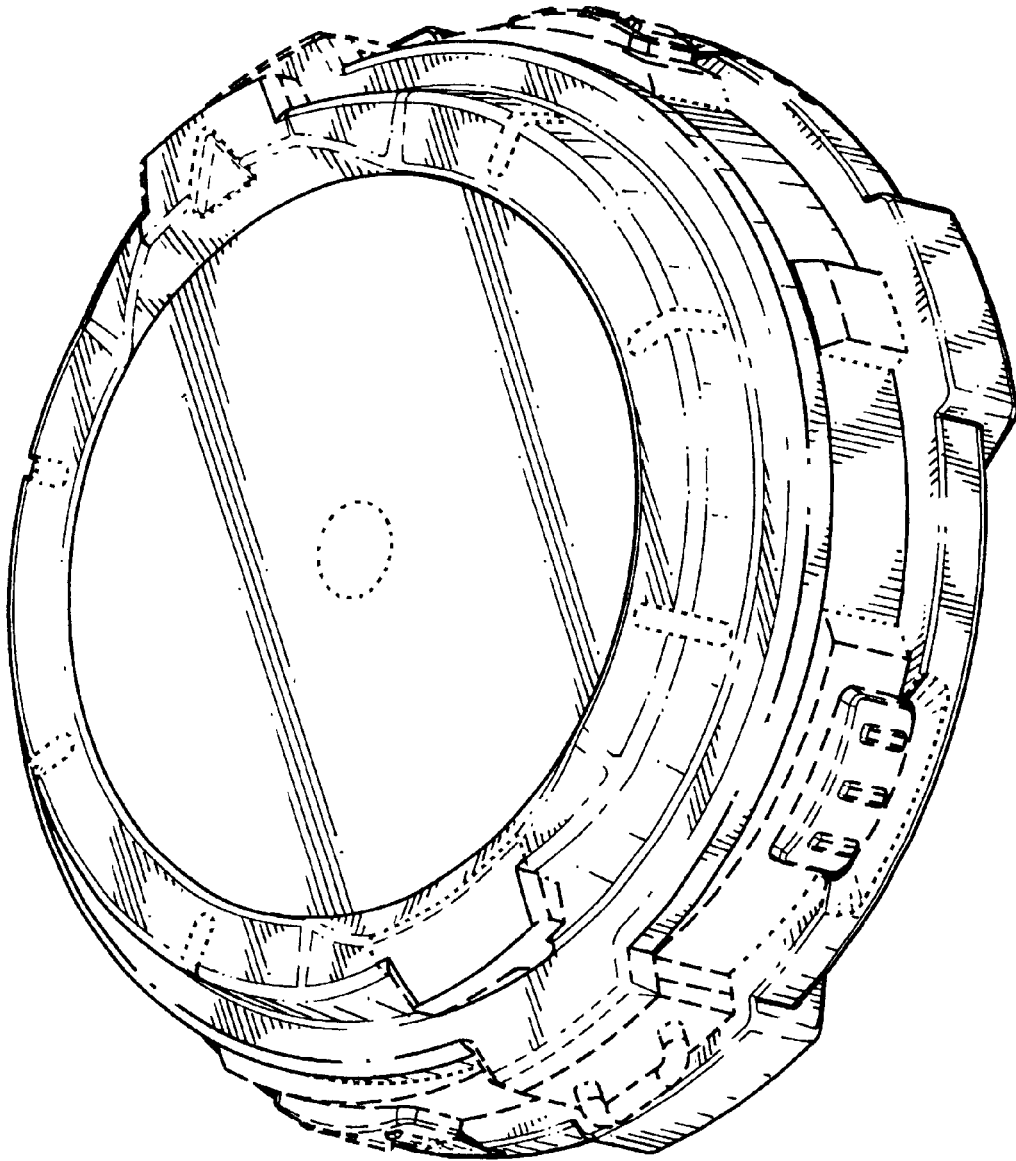


FIG.1

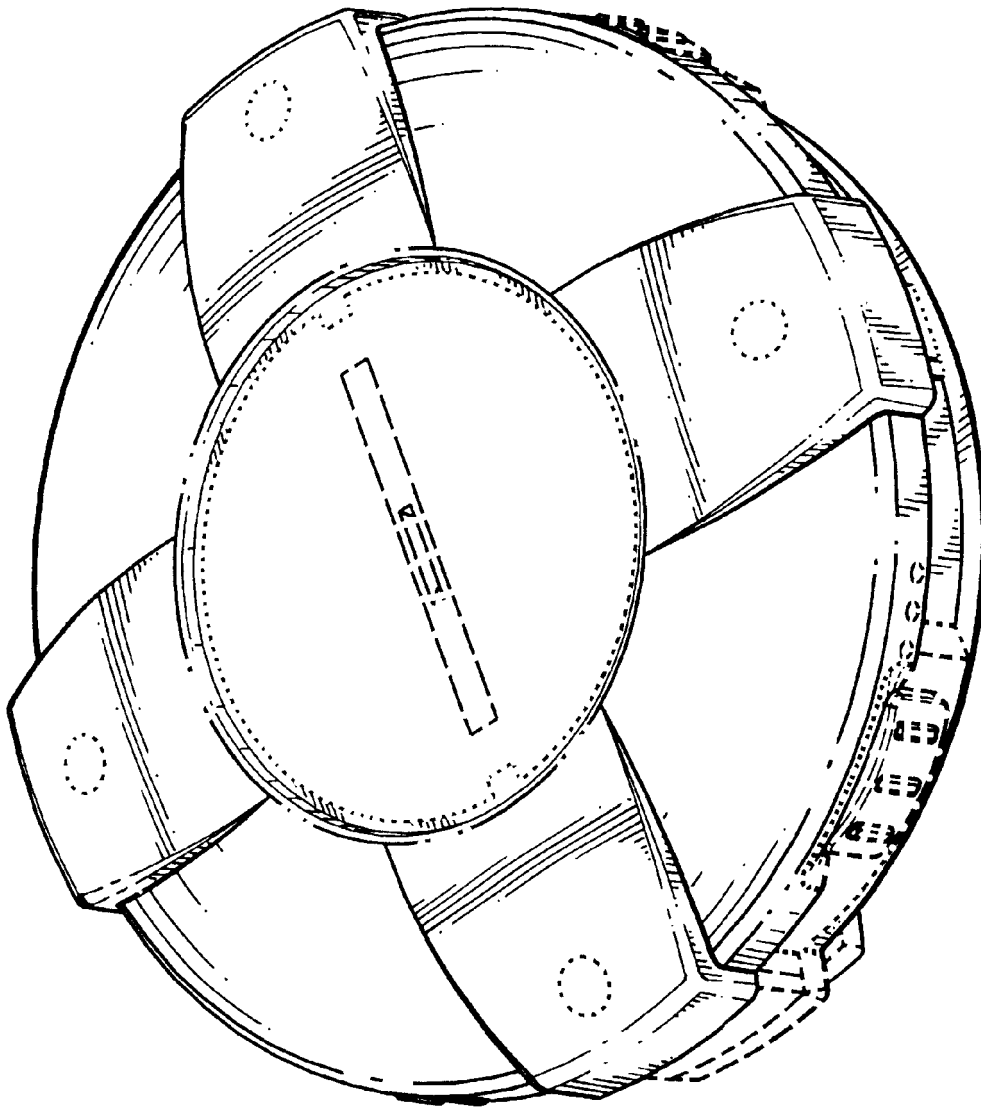


FIG.2

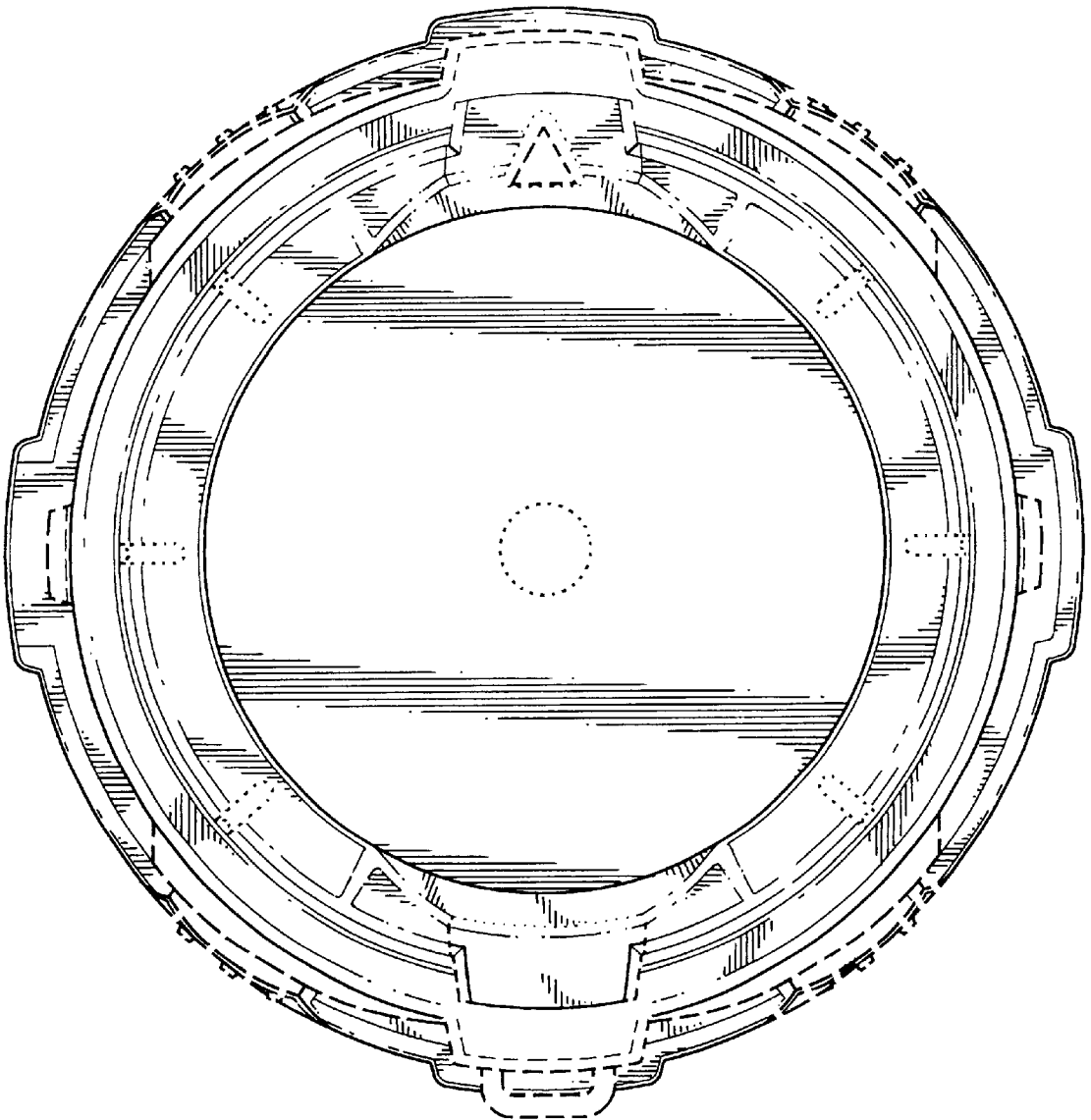


FIG. 3

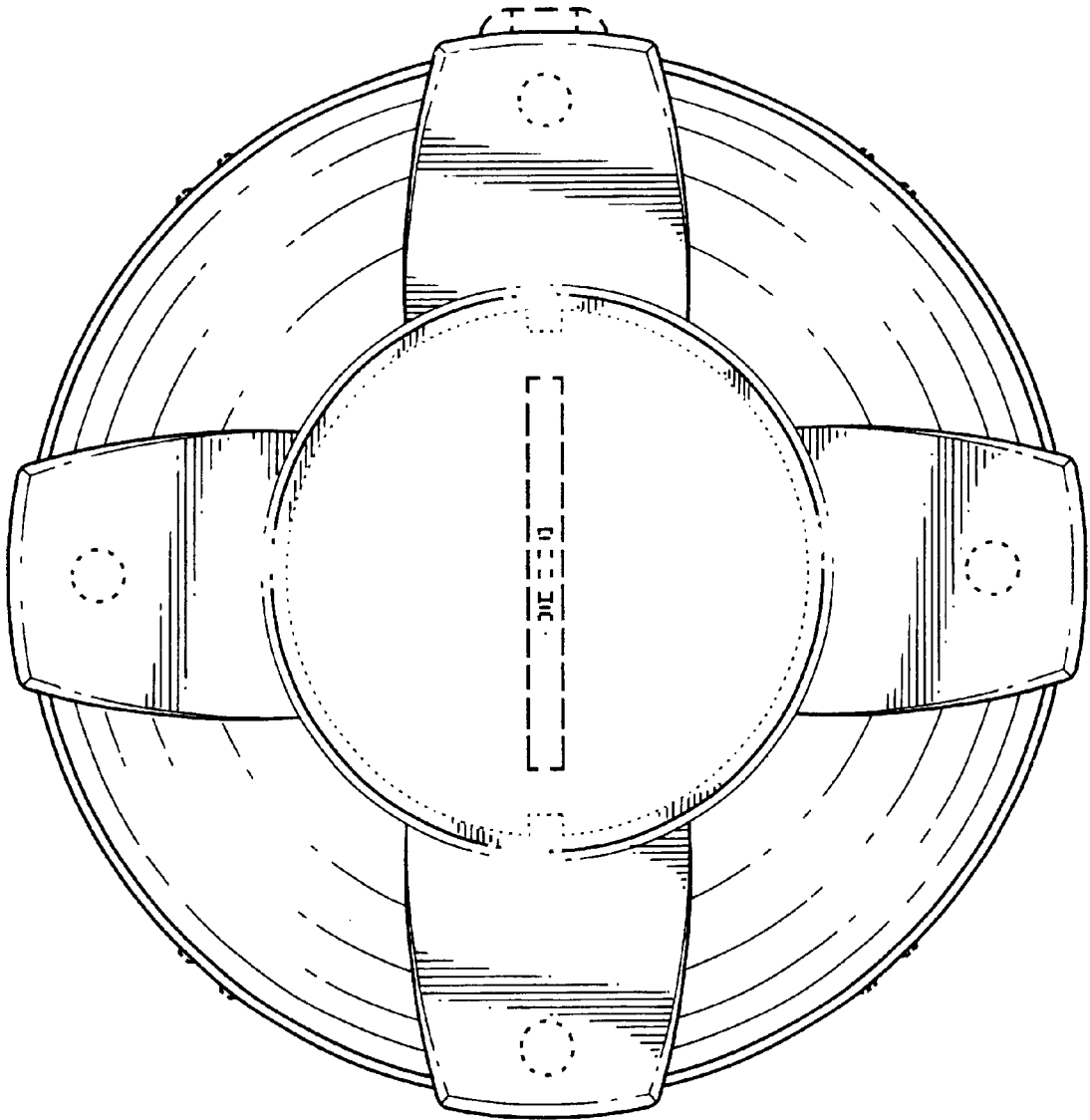


FIG.4

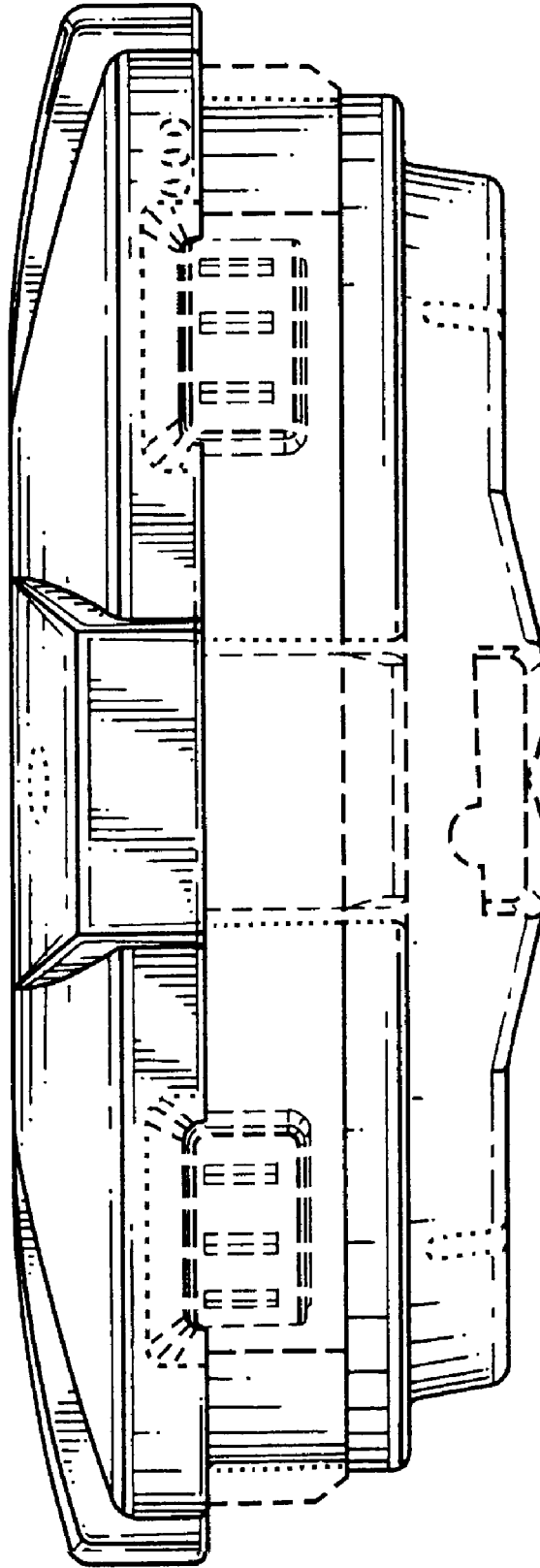


FIG. 5

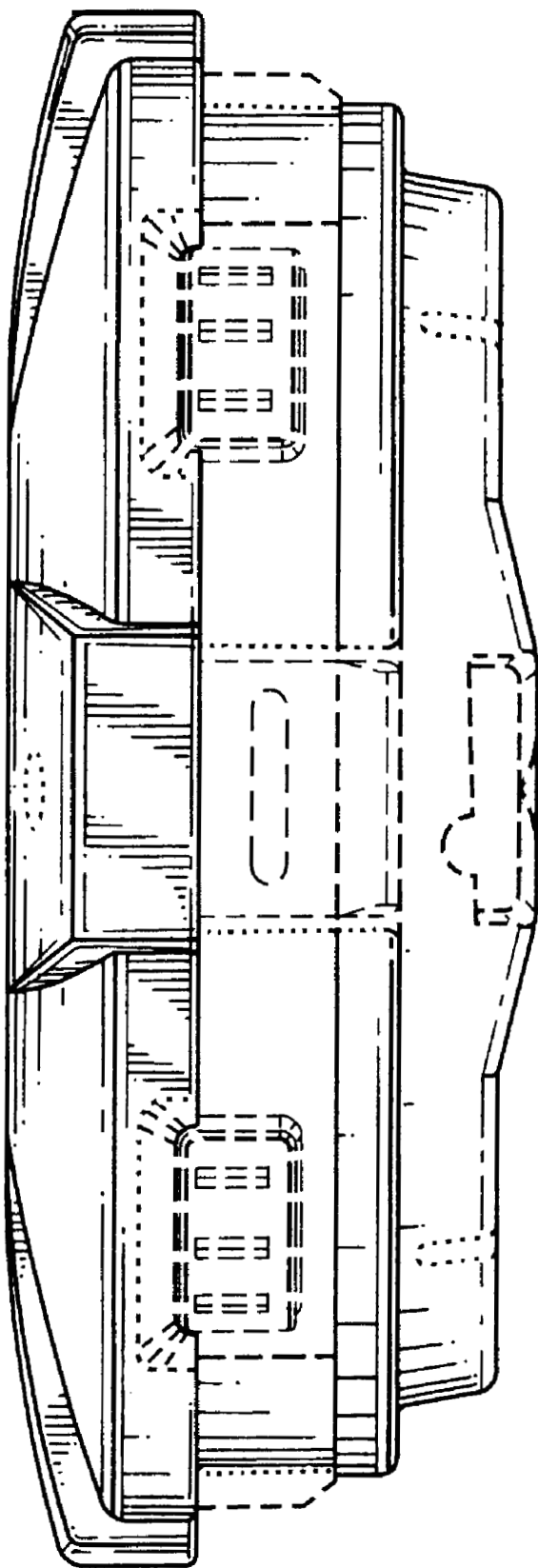


FIG. 6

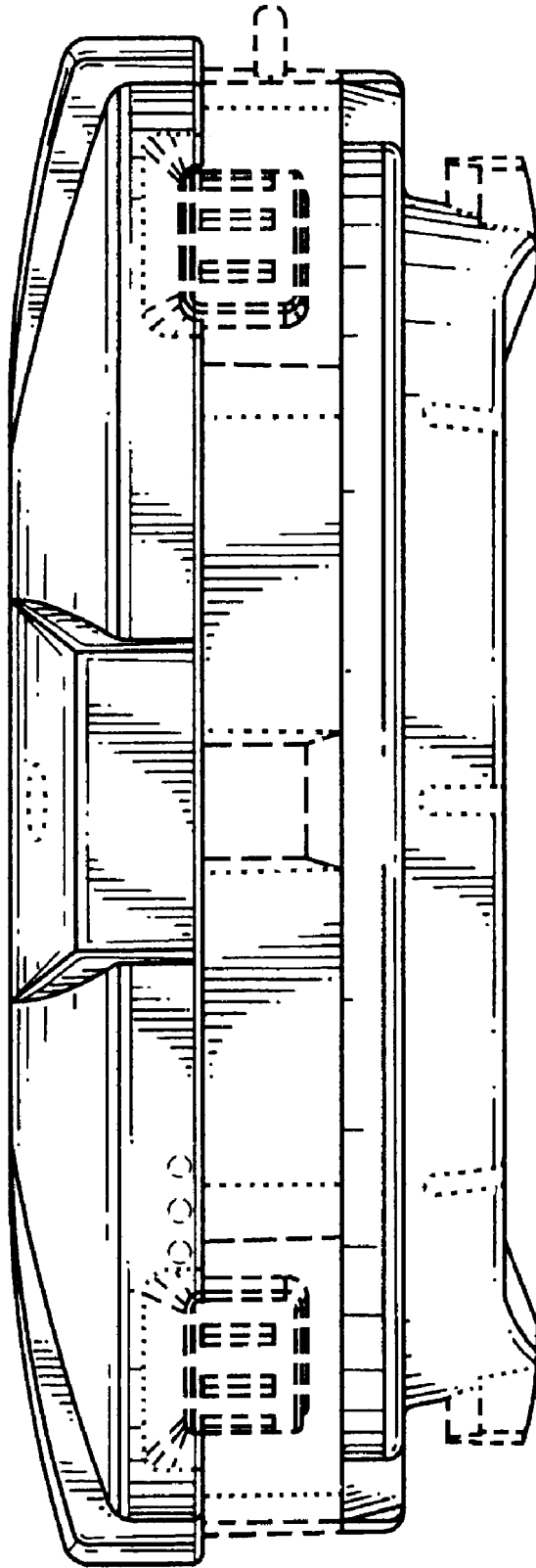


FIG. 7