



US00D462017S

(12) **United States Design Patent** (10) **Patent NO.:** **US D462,017 S**
Gardiner et al. (45) **Date of Patent:** **** Aug. 27, 2002**

(54) **MODULE FOR MULTI-FUNCTION EQUIPMENT**

(75) Inventors: **Walter A. Gardiner**, Waccabuc, **NY** (US); **Joseph A. Hufnagel**, Bethel, **CT** (US); **James J. Economos**, Kingston, **NY** (US); **James O. Quinn**, Montgomery, **NY** (US); **Robert S. Englert**, Syracuse, **NY** (US); **Scott W. Osiecki**, Skaneateles, **NY** (US)

D287,942 S 111987 Tanaka
D290,093 S 611987 Kramer et al.
D308,488 S 611990 Iden
D310,787 S 911990 Iden
D310,970 S 1011990 Iden
D333,626 S 311993 Chang
D356,965 S 411995 Chang
D375,693 S 1111996 Chang
D386,699 S 1111997 Lindman
D449,009 S * 1012001 Gardiner et al. D10/62

(73) Assignee: **Imperial Schrade Corp.**, Ellenville, **NY** (US)

(**) Term: **14 Years**

(21) Appl. No.: **291148,632**

(22) Filed: **Sep. 24, 2001**

Related U.S. Application Data

(62) Division of application No. 291134,628, filed on Dec. 26, 2000, now Pat. No. Des. 449,009.

(51) **LOC (7) Cl.** **10-04**

(52) **U.S. Cl.** **D10/62**; D10/68

(58) **Field of Search** D10/62, 68; 331273, 331355 R, 364; 2241152, 235, 240, 252, 269; 3681101, 276-278; 3741141, 142, 208; 446128

(56) **References Cited**

U.S. PATENT DOCUMENTS

D53,889 S 1011919 Colvin
D106,533 S 1011937 Frank
4,250,627 A 211981 Järvenpää et al.
D283,682 S 511986 Raitmaa

OTHER PUBLICATIONS

The Sharper Image Catalog, "Zytool", Aug. 2000, p. 3.

* cited by examiner

Primary Examiner—Antoine Duval Davis

(74) Attorney, Agent, or Firm—SAIDMAN DesignLaw Group

(57) **CLAIM**

The ornamental design for module for multi-function equipment, as shown and described.

DESCRIPTION

FIG. 1 is a top perspective view of a module for multi-function equipment showing our new design;

FIG. 2 is a bottom perspective view thereof;

FIG. 3 is a top view thereof;

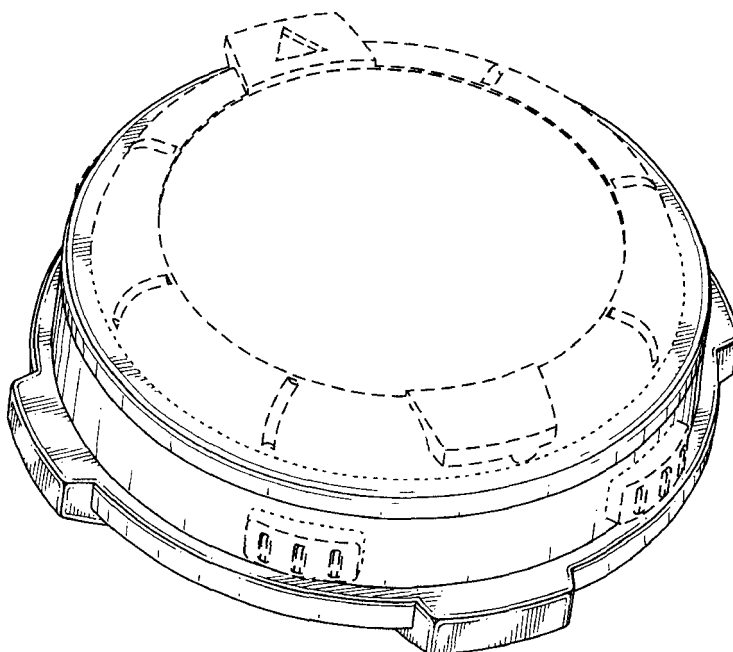
FIG. 4 is a bottom view thereof;

FIG. 5 is a front view thereof, the rear view being a mirror image; and,

FIG. 6 is a left side view thereof, the right side view being a mirror image.

The broken lines in the drawings represent environmental subject matter and form no part of the claimed design.

1 Claim, 5 Drawing Sheets



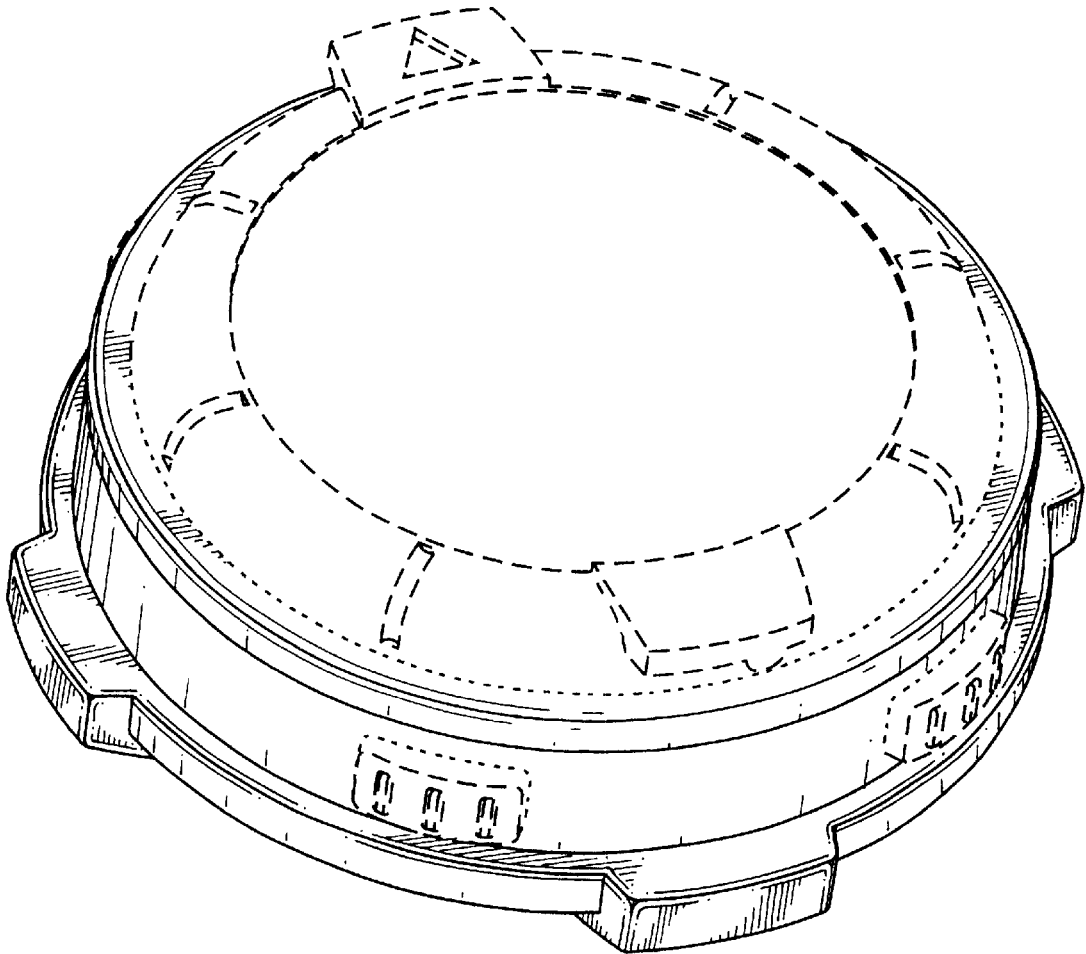


FIG.1

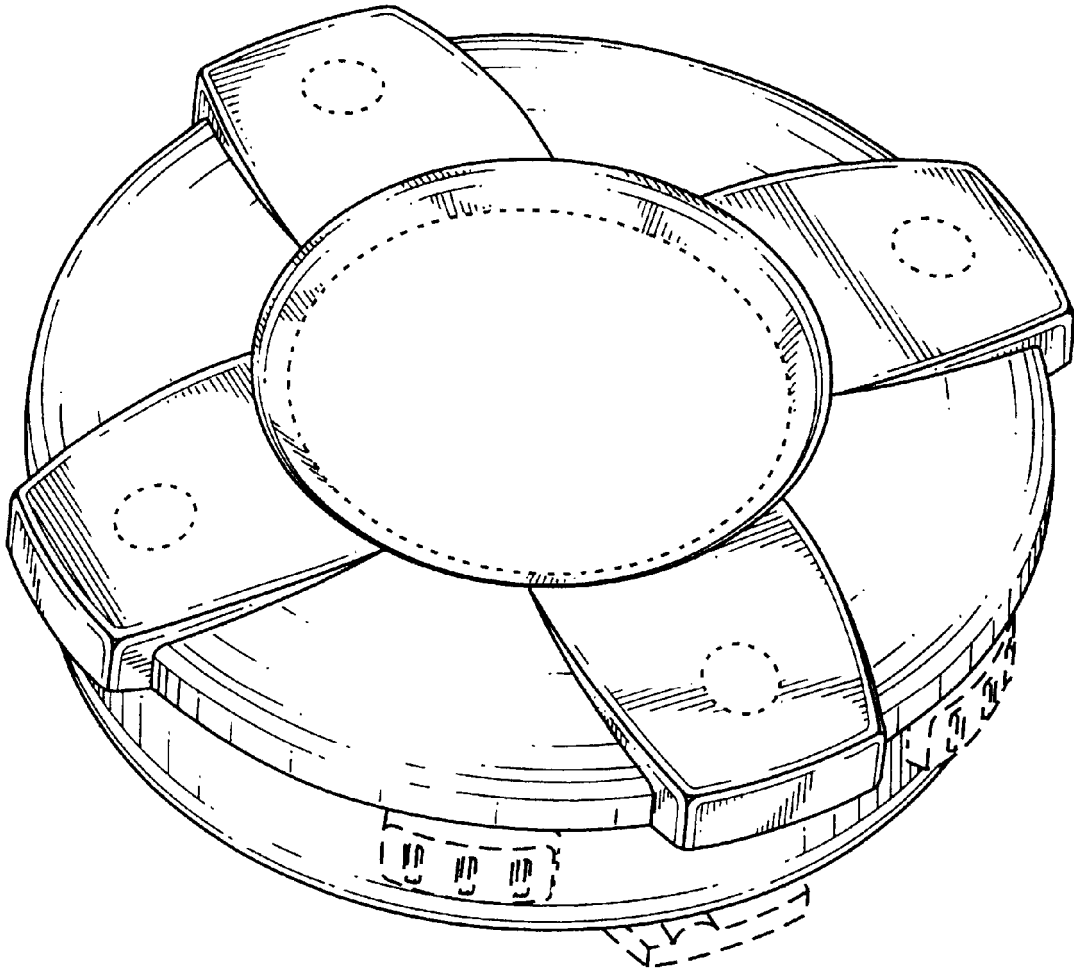


FIG. 2

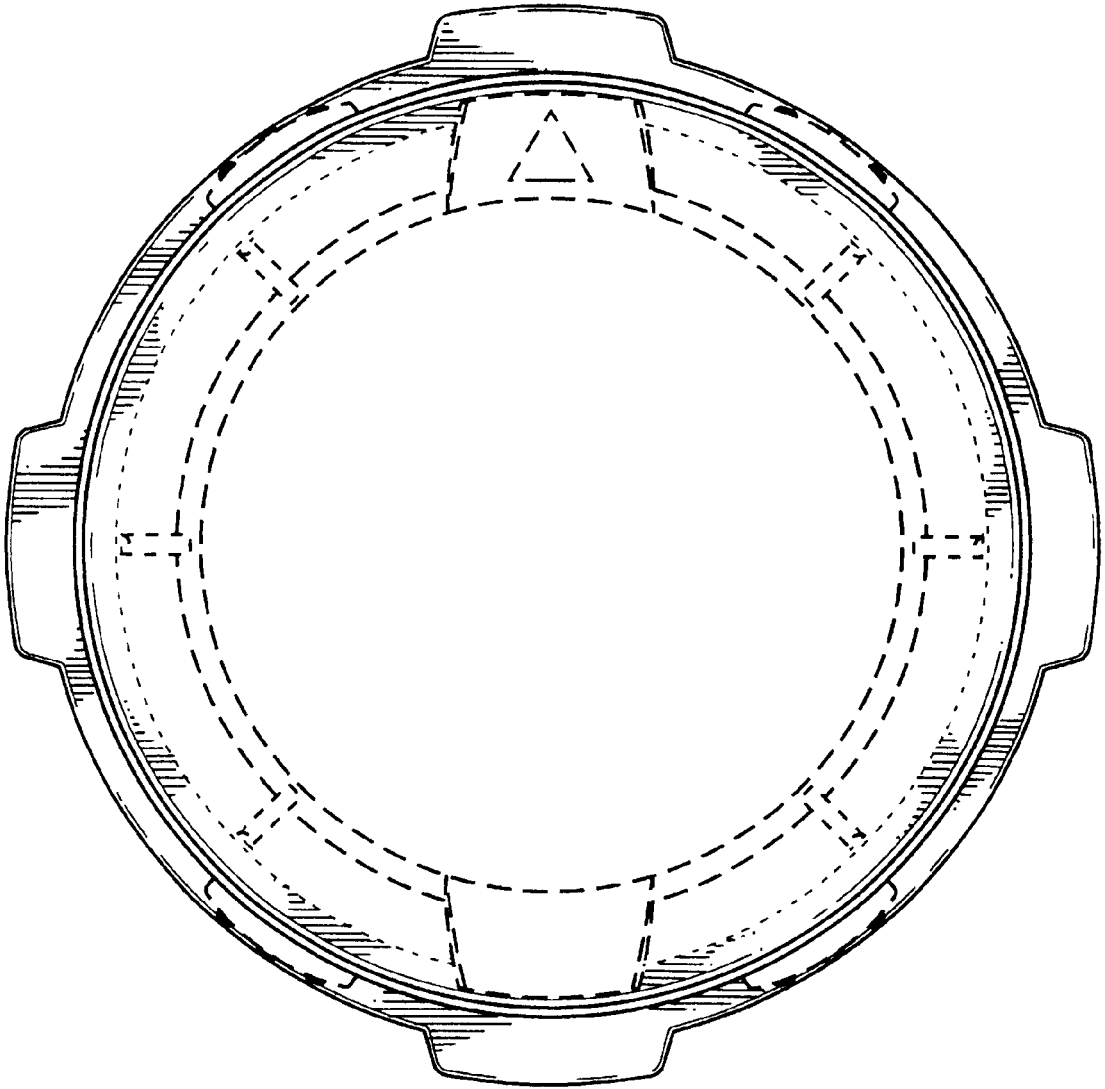


FIG. 3

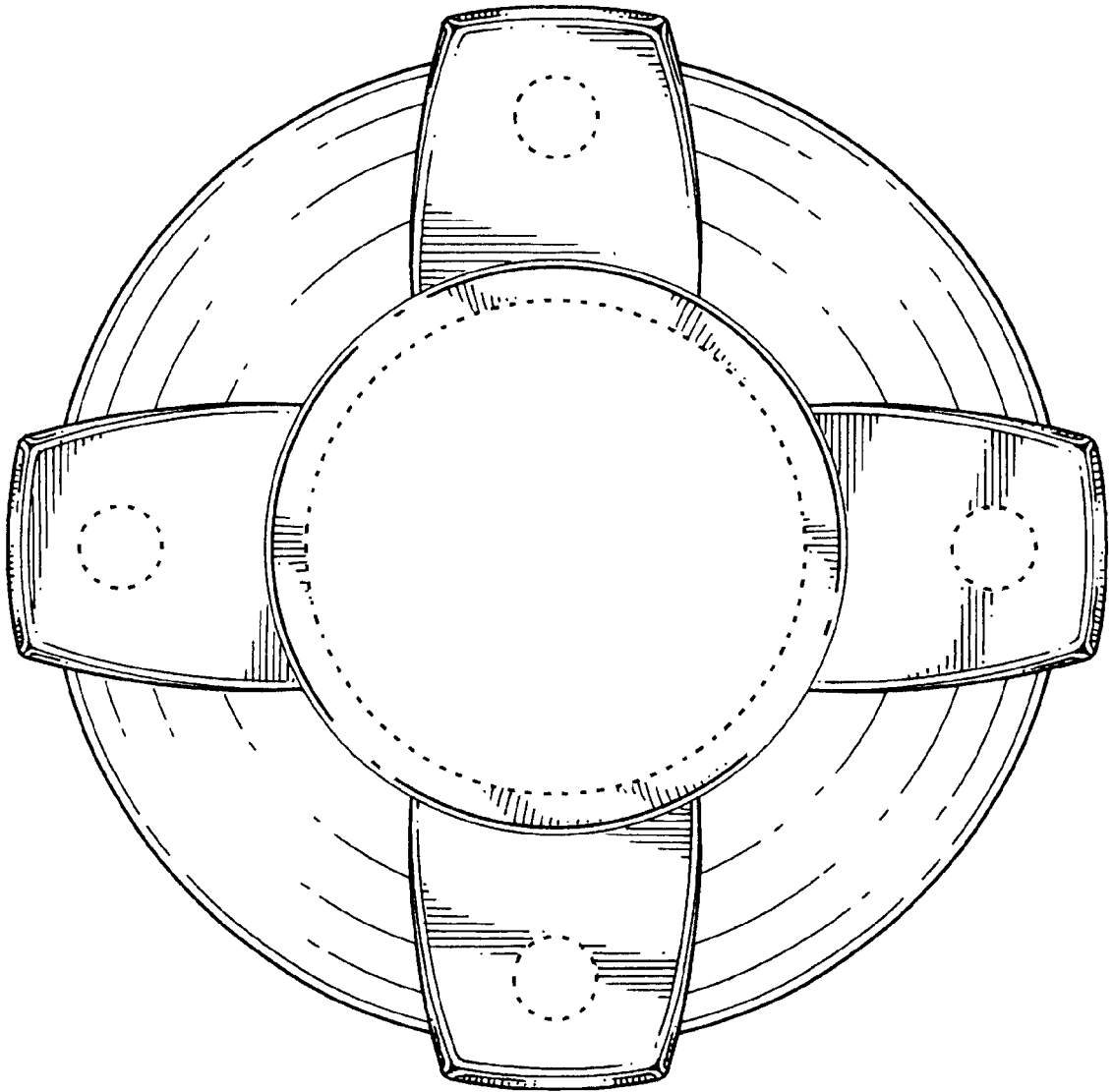


FIG.4

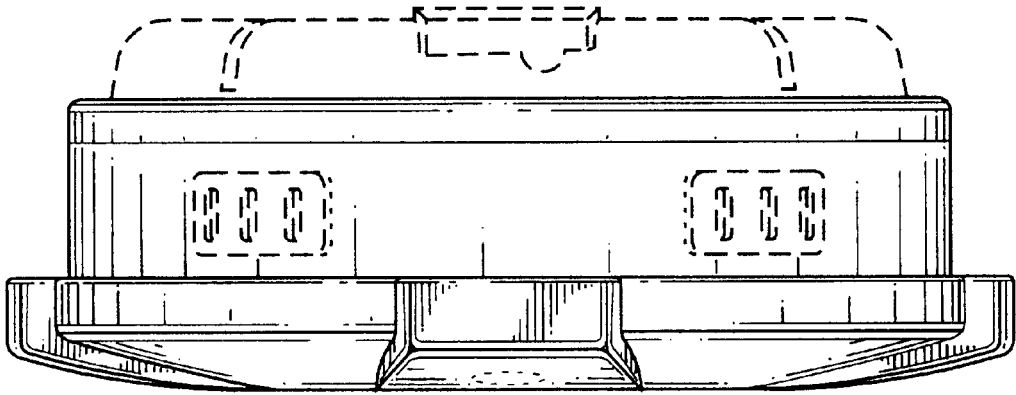


FIG. 5

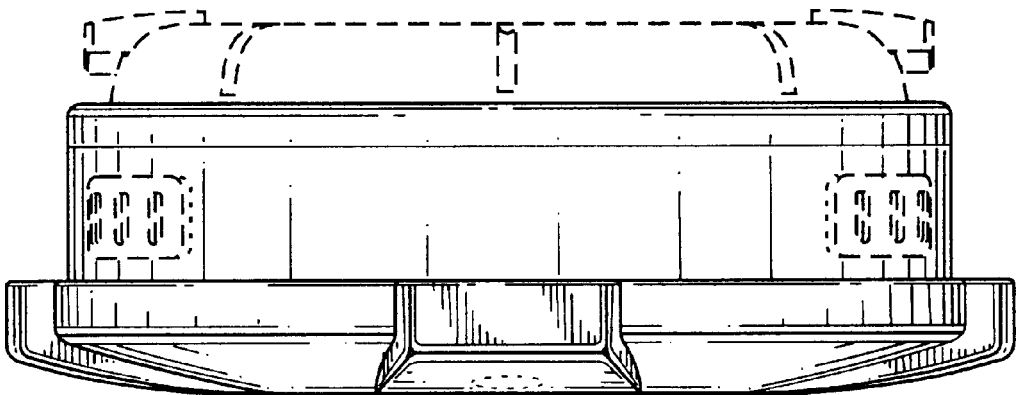


FIG. 6