



US00D448685B1

(12) **United States Design Patent**
Gardiner et al.

(10) **Patent NO.:** **US D448,685 S**

(45) **Date of Patent:** **** Oct. 2,2001**

(54) **MODULE FOR MULTI-FUNCTION EQUIPMENT**

(75) Inventors: **Walter A. Gardiner**, Waccabuc, NY (US); **Joseph A. Hufnagel**, Bethel, CT (US); **James J. Economos**, Kingston, NY (US); **James O. Quinn**, Montgomery, NY (US); **Robert S. Englert**, Syracuse, NY (US); **Scott W. Osiecki**, Skaneateles, NY (US)

(73) Assignee: **Imperial Schrade Corp.**, Ellenville, NY (US)

(**) Term: **14 Years**

(21) Appl. No.: **291134,627**

(22) Filed: **Dec. 26, 2000**

(51) **LOC (7) Cl.** **10-04**

(52) **U.S. Cl.** **D10/62; D10/68**

(58) **Field of Search** D10/62, 65, 68; 331273, 355 R, 364; 2241152, 235, 240, 252, 269; 3681101, 276, 277, 278; 3741141, 142, 208; 446128

(56) **References Cited**

U.S. PATENT DOCUMENTS

- D. 283,682 511986 Raitmaa
- D. 290,093 611987 Kramer
- D. 308,488 611990 Iden .

- D. 310,787 911990 Iden .
- D. 310,970 1011990 Iden .
- D. 333,626 * 311993 Chang D10/68 X
- D. 356,965 * 411995 Chang D10/62
- D. 375,693 * 1111996 Chang D10/62
- D. 386,699 1111997 Lindman .
- 4,250,627 211981 Järvenpää et al. .

OTHER PUBLICATIONS

The Sharper Image Catalog, "Zytool", Aug. 2000, p. 3

* cited by examiner

Primary Examiner—Antoine Duval Davis

(74) Attorney, Agent, or Firm—SAIDMAN DesignLaw Group

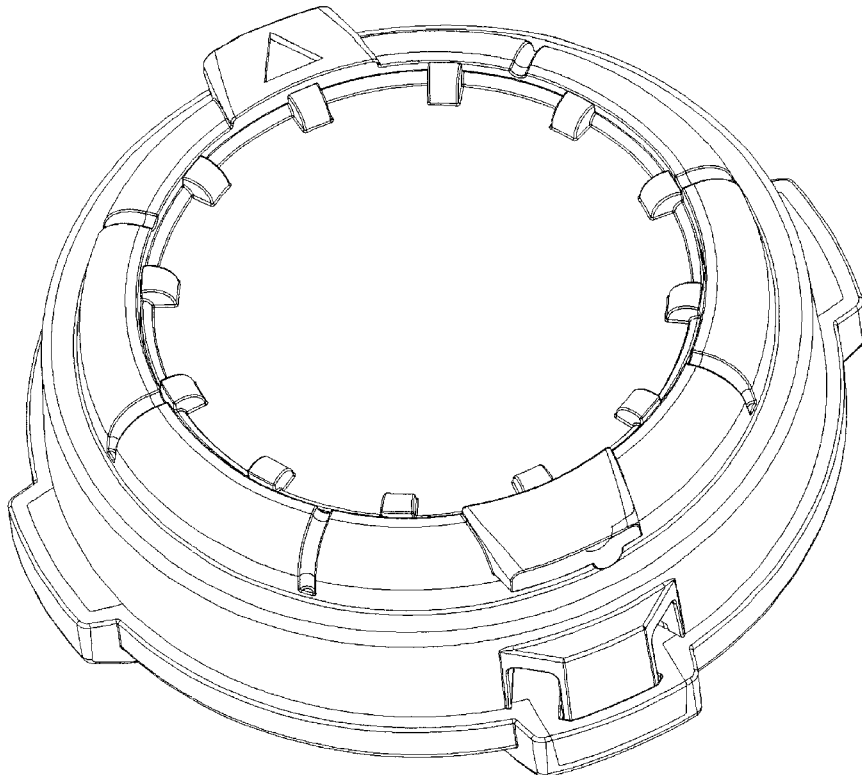
(57) **CLAIM**

The ornamental design for a module for multi-function equipment, as shown.

DESCRIPTION

FIG. 1 is a top perspective view of a module for multi-function equipment showing our new design; FIG. 2 is a bottom perspective view thereof; FIG. 3 is a top view thereof; FIG. 4 is a bottom view thereof; FIG. 5 is a front view thereof; FIG. 6 is a rear view thereof; FIG. 7 is a left side view thereof; and, FIG. 8 is a right side view thereof.

1 Claim, 6 Drawing Sheets



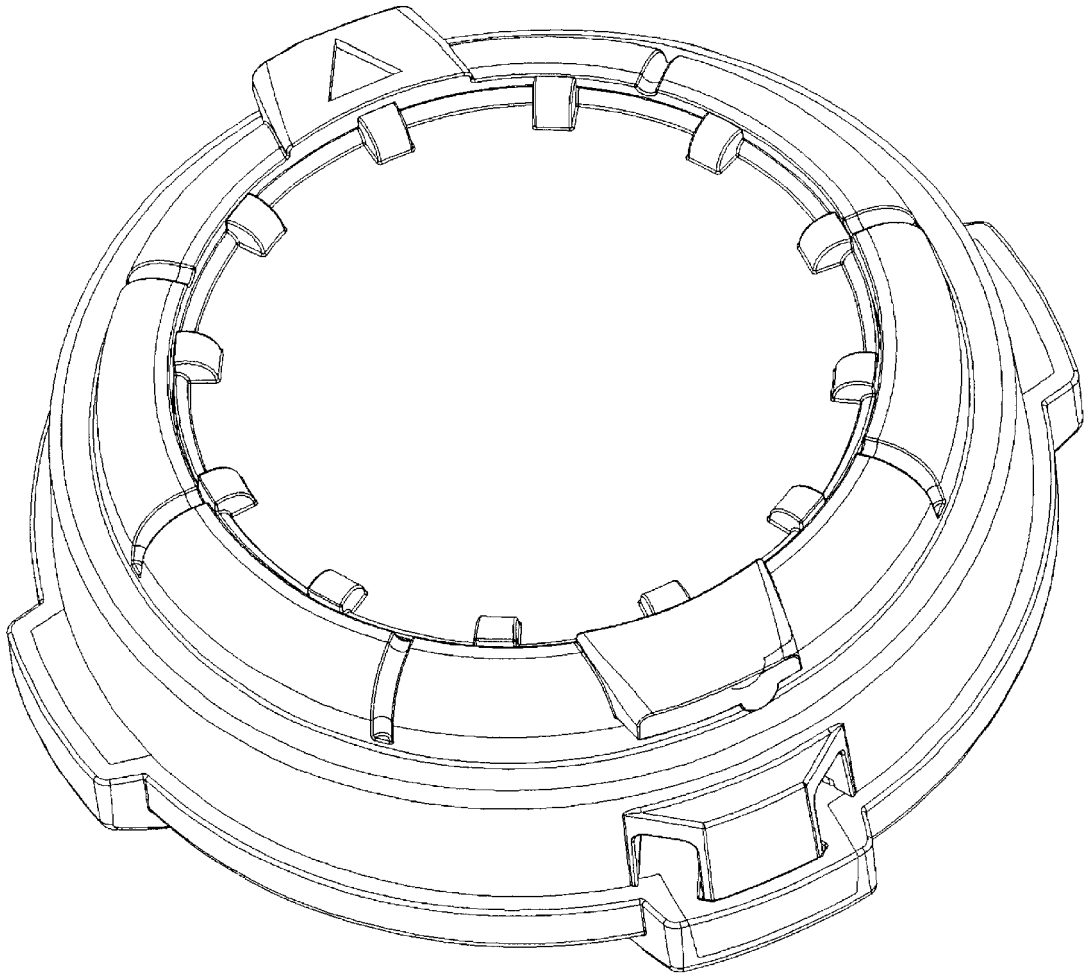


FIG. 1

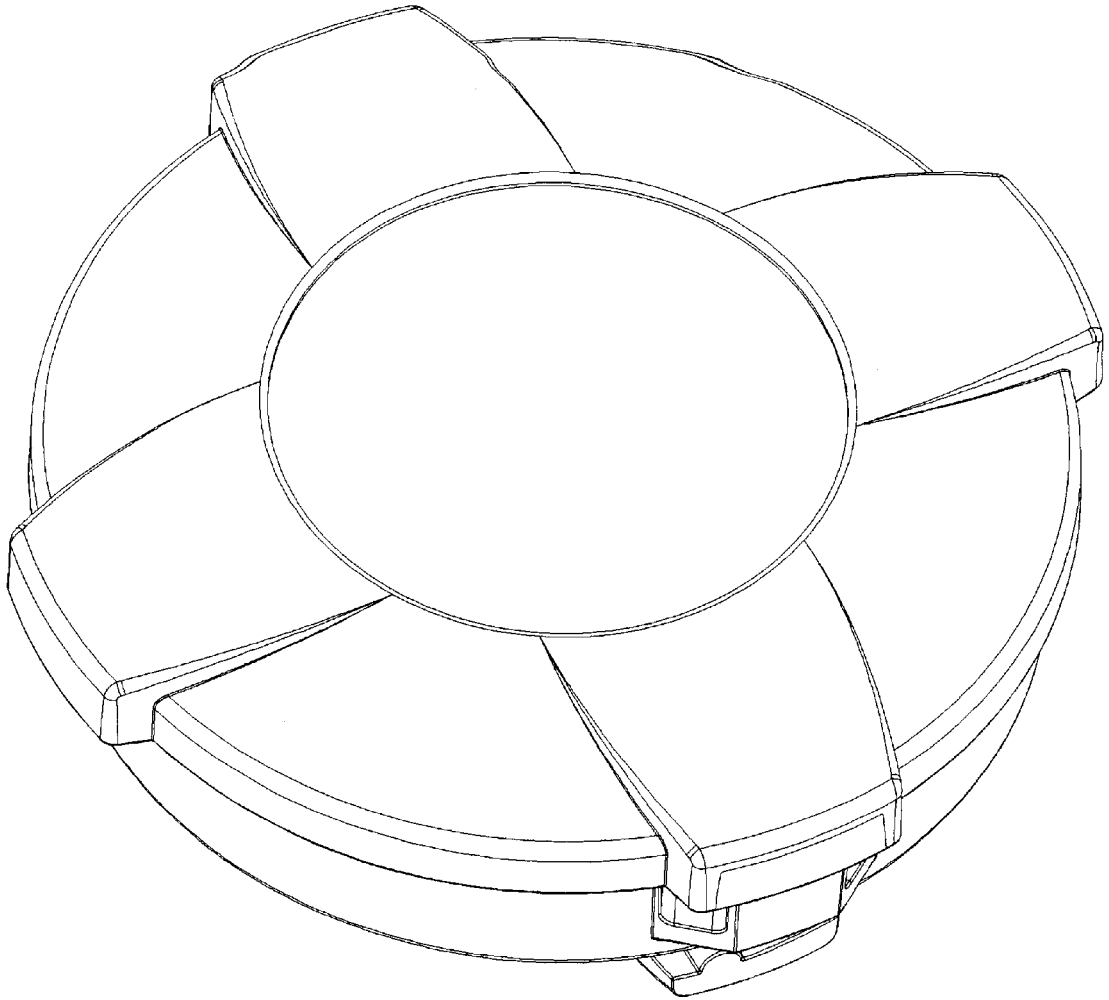


FIG. 2

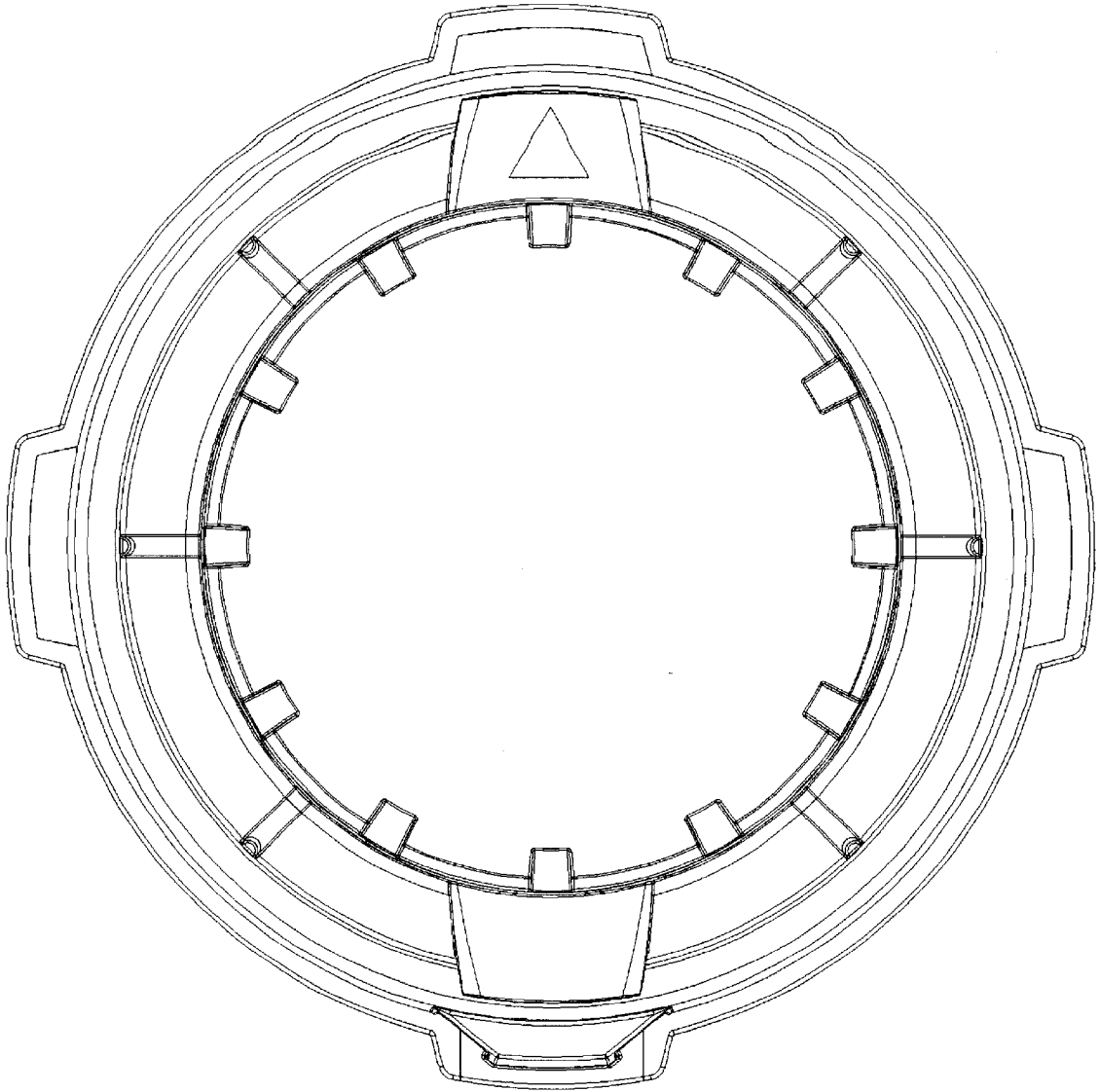


FIG. 3

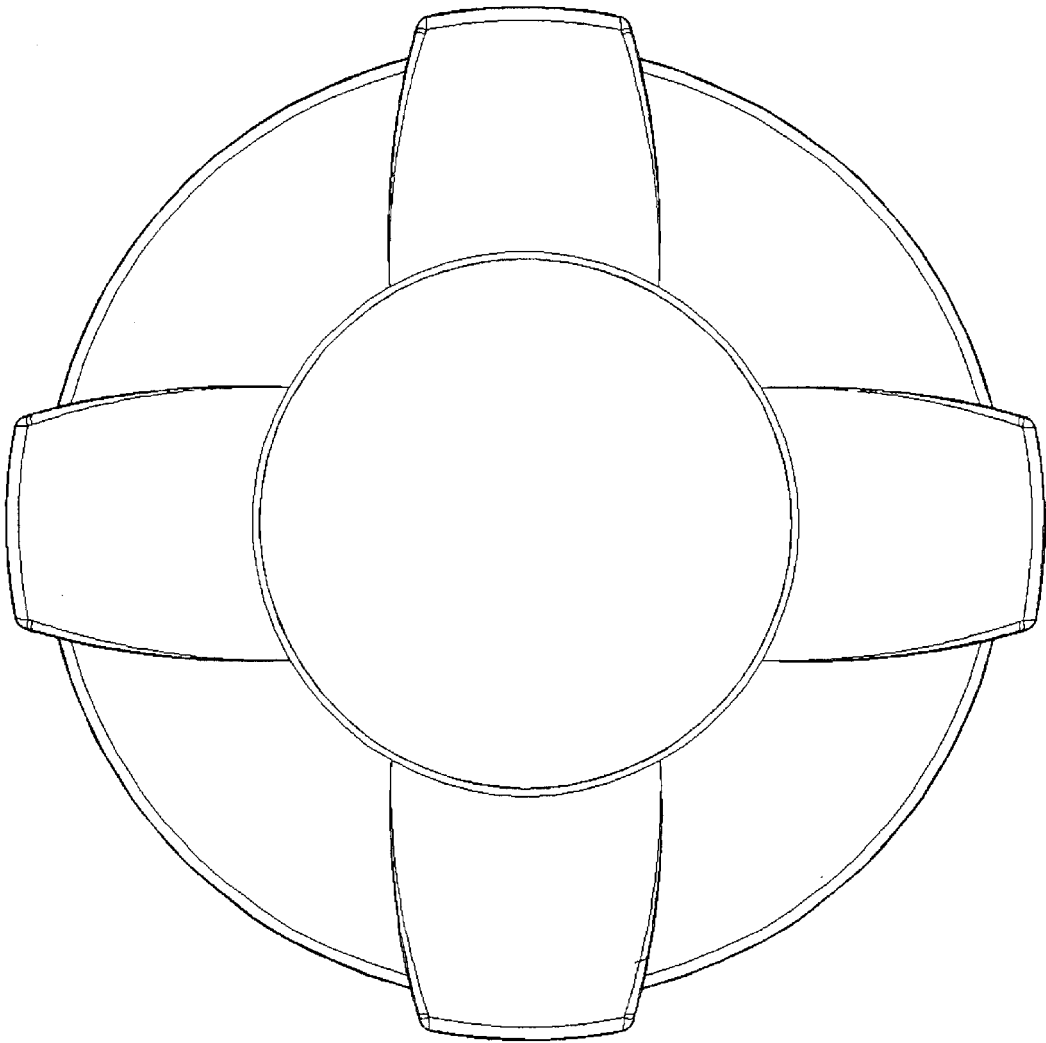


FIG. 4

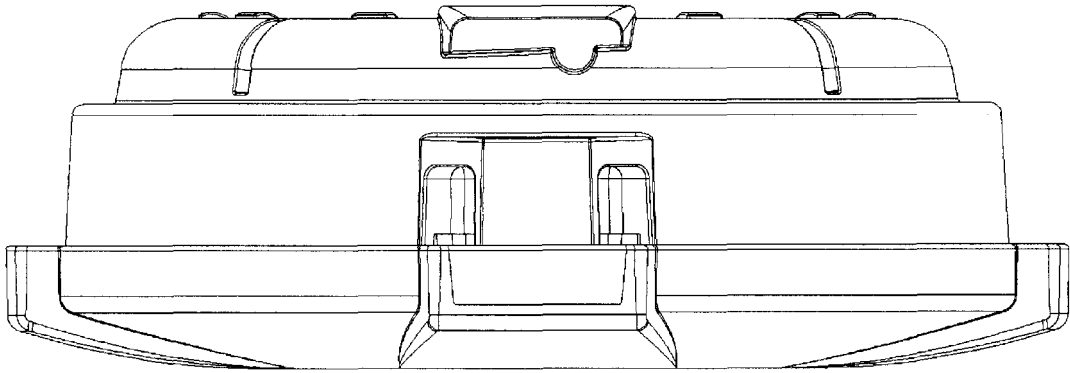


FIG. 5

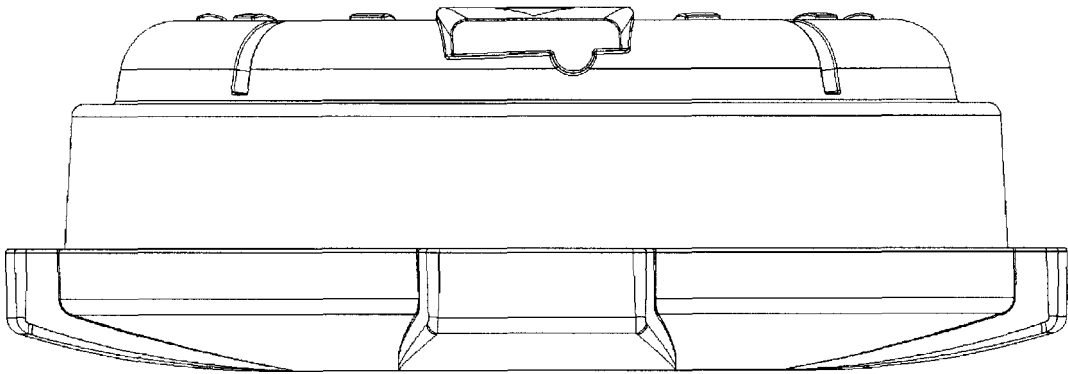


FIG. 6

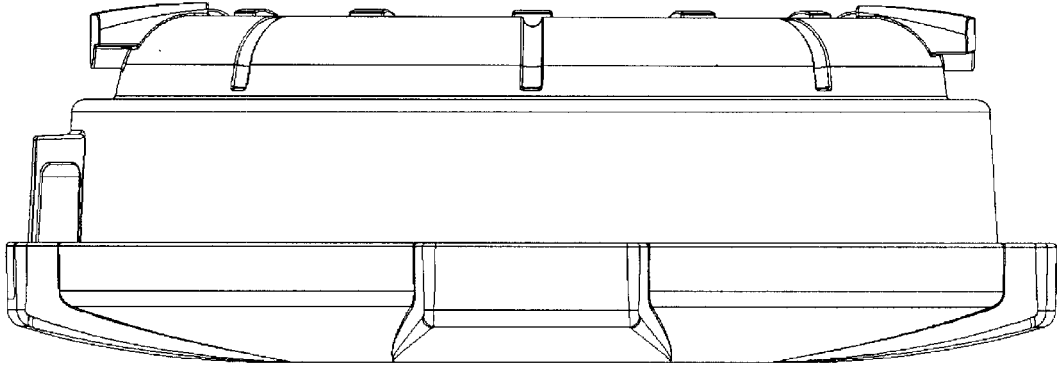


FIG. 7

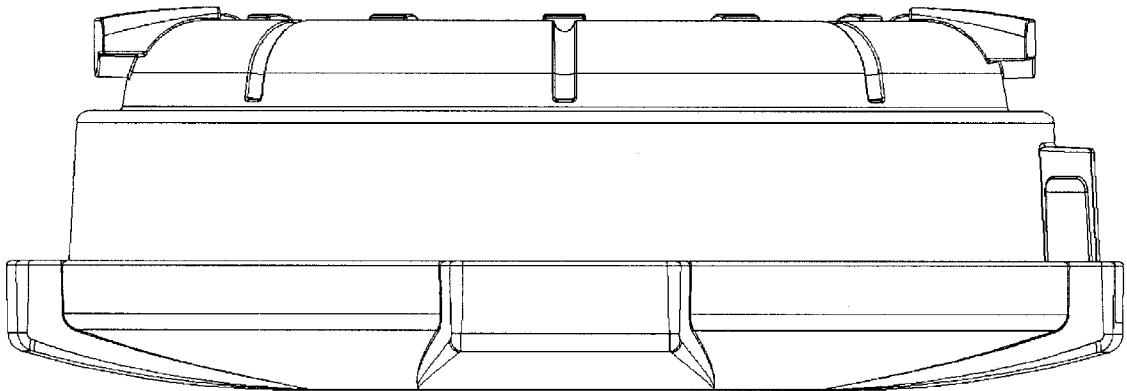


FIG. 8