



US00D426139S

United States Patent [19]
Christoffel et al.

[11] **Patent Number: Des. 426,139**
[45] **Date of Patent: ** Jun. 6, 2000**

[54] **SAFETY LOCK FOR A KNIFE STORAGE BLOCK**

5,245,756 911993 Howell et al. 301298.4

[75] Inventors: **Glen N. Christoffel**, Jamesville; **Peter F. Lynch**, Skaneateles; **Walter A. Gardiner**, Waccabuc, all of N.Y.

Primary Examiner—Susan J. Lucas
Assistant Examiner—Jennifer Rivard
Attorney, Agent, or Firm—SAIDMAN DesignLaw Group

[73] Assignee: **Imperial Schrade Corp.**, Ellenville, N.Y.

[57] **CLAIM**
We claim the ornamental design for a safety lock for a knife storage block, as shown and described.

[**] Term: **14 Years**

DESCRIPTION

[21] Appl. No.: **291078,564**

[22] Filed: **Oct. 29, 1997**

FIG. 1 is a right side view in elevation of a safety lock for a knife storage block showing our new design, the left side view being a mirror image thereof;

[51] **LOC (7) Cl.** **08-07**

[52] **U.S. Cl.** **D8/339**

FIG. 2 is a front perspective view thereof showing the design in its locked position; and,

[58] **Field of Search** D8/330-331, 339, D8/344; 301298.4, 151; D7/637, 638

FIG. 3 is a front view in elevation thereof showing the design in its unlocked position.

[56] **References Cited**

U.S. PATENT DOCUMENTS

4,866,845 911989 McEvily 301298.4 X

The broken line showings in FIGS. 1 and 2 are environmental only and form no part of the claimed design.

1 Claim, 3 Drawing Sheets

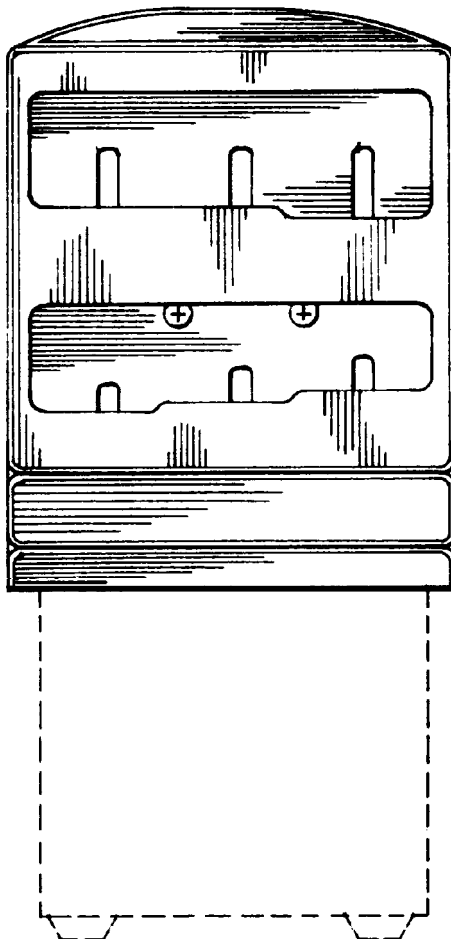


FIG. 1

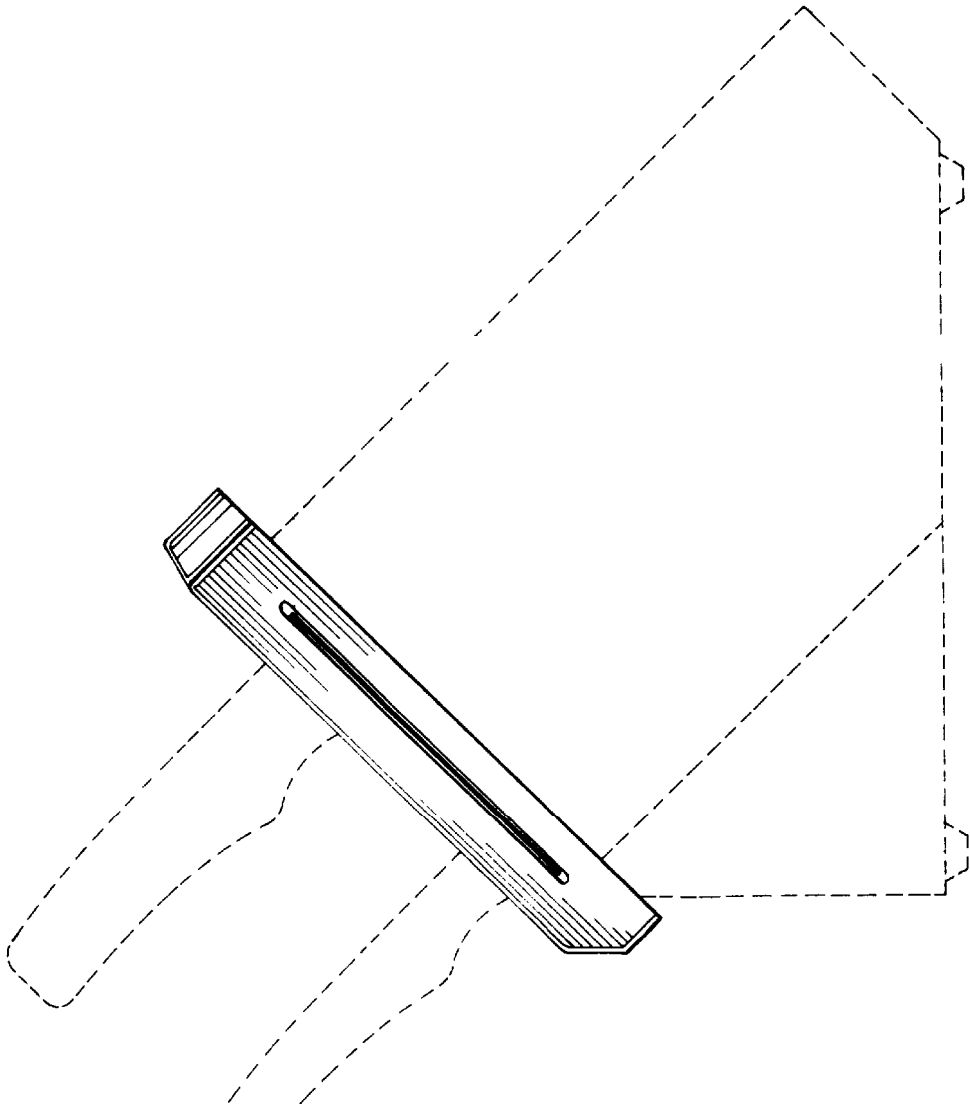


FIG. 2

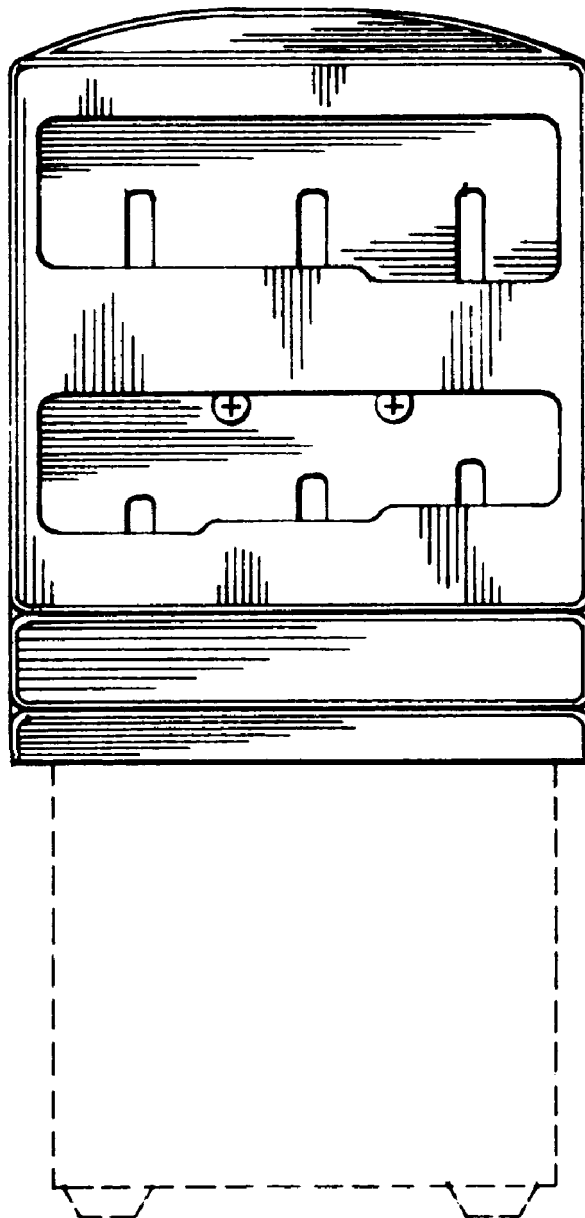


FIG. 3

