



US00D406030S

United States Patent [19]
Gardiner et al.

[11] **Patent Number: Des. 406,030**

[45] **Date of Patent: **Feb. 23, 1999**

[54] **PLIERS JAW**

5,267,366 1211993 Frazer .

[75] Inventors: **Walter A. Gardiner**, Waccabuc; **David A. Swinden**, Ellenville; **Robert L. Naas**, Skaneateles, all of N.Y.

FOREIGN PATENT DOCUMENTS

0513937A2 1111992 European Pat. Off. .

[73] Assignee: **Imperial Schrade Corp.**, Ellenville, N.Y.

OTHER PUBLICATIONS

Hong Kong Enterprise, p. 179, see combination tool jaws, top center, Nov. 1988.

[**] Term: 14 Years

Handsome Rewards, advertizing flyer, see jaws on tool featured, Jul. 1989.

[21] Appl. No.: 61,657

Yorkcraft Master Took, Flyer, see tool jaws—top left center, May 1993.

[22] Filed: **Oct. 28, 1996**

Primary Examiner—Martie K. Holtje

Attorney, Agent, or Firm—Saidman DesignLaw Group

[51] **LOC (6) Cl.** 08/05

[52] **U.S. Cl.** **D8/52**

[58] **Field of Search** D8/14, 51, 52,
D8/53, 54, 55, 56, 57, 58, 105; 811427,
428, 300, 303, 415, 417, 419, 424.5; 71118,
128, 129, 132, 142, 163, 164, 168

[57] **CLAIM**

The ornamental design for a pliers jaw, as shown and described.

[56] **References Cited**

U.S. PATENT DOCUMENTS

- D. 368,634 411996 Frazer .
- D. 382,182 811997 Seber et al. D8/55
- D. 384,872 1011997 Yeh D8/105
- 1,467,661 911923 Undy .
- 1,474,592 1111923 Jacoby .
- 1,619,181 311927 Beretz .
- 2,274,945 311942 Van Keuren .
- 2,753,741 711956 Riley .
- 4,238,862 1211980 Leatherman .
- 4,744,272 511988 Leatherman .
- 4,888,869 1211989 Leatherman .
- 5,062,173 1111991 Collins et al. .
- 5,142,721 911992 Sessions et al. .
- 5,212,844 511993 Sessions et al. .

DESCRIPTION

FIG. 1 is a front view of a pliers jaw showing our new design having serrations on the inner faces of the jaw;

FIG. 2 is a rear view of an alternate embodiment of our design that differs from the first embodiment in omitting the serrations on the inner faces of the jaw;

FIG. 3 is a left side view of the embodiment of FIG. 1;

FIG. 4 is a right side view of the embodiment of FIG. 1; and,

FIG. 5 is a top view of the embodiment of FIG. 2.

The dashed broken lines are shown in the figures for environmental purposes only and form no part of the claimed design. The dotted broken lines, shown in FIGS. 1, 2 and 4, define the boundries of the claimed design and form no part thereof.

1 Claim, 3 Drawing Sheets

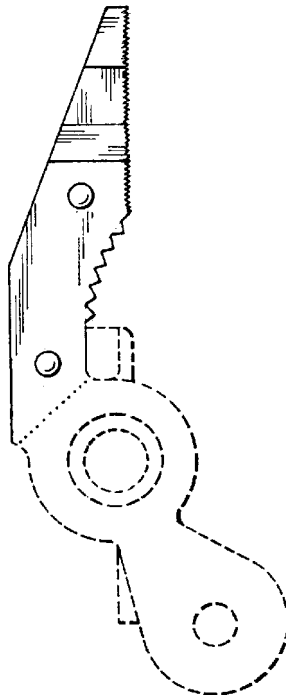


FIG. 1

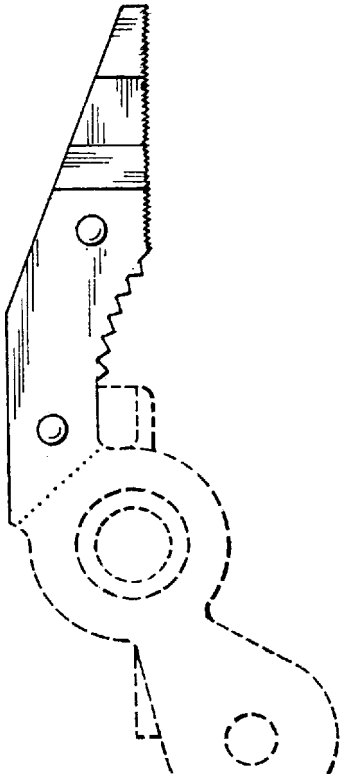


FIG. 2

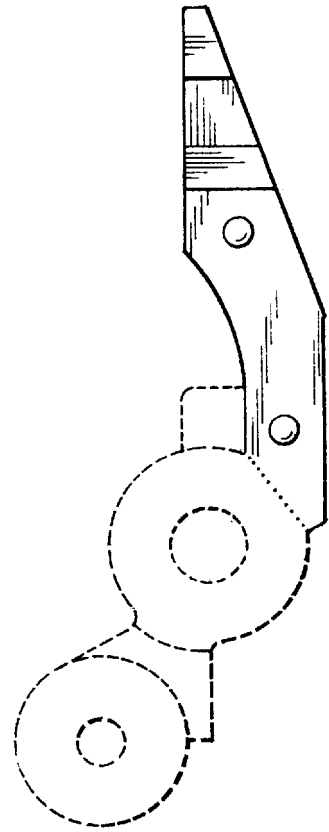


FIG. 3

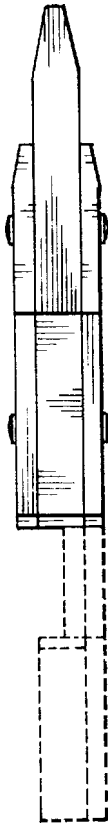


FIG. 4

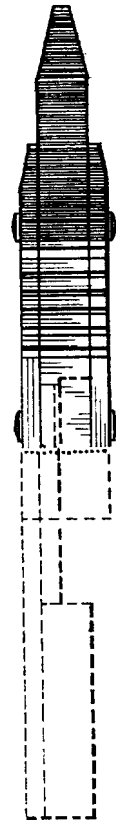


FIG. 5

